

Click to view price, real time Inventory,
Delivery & Lifecycle Information ;

7490120110

Würth Electronics

Audio Transformers / Signal Transformers WE-LAN 10/100 Base-T
1Port SMD Transfrmer

Any questions, please feel free to contact us.
info@kaimte.com

Spezifikation für Freigabe / specification for release

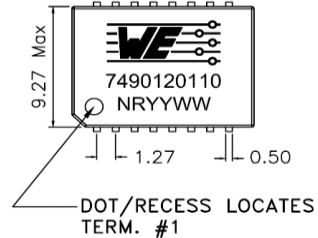
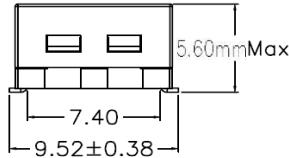
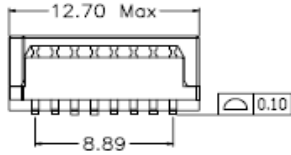
Kunde / customer :
 Artikelnummer / part number : **7490120110**
 Bezeichnung : LAN-Übertrager WE-LAN
 description : LAN-Transformer WE-LAN



DATUM / DATE : 2018-08-20

A Mechanische Abmessungen / dimensions :

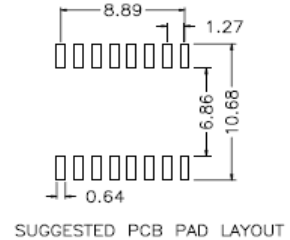
| | |
|--|--------------------------|
| | 10/100 BaseT PoE+ |
|--|--------------------------|



B Elektrische Eigenschaften / electrical properties :

| Eigenschaften / properties | Testbedingungen / test conditions | | Wert / value | Einheit / unit | tol. |
|--------------------------------------|-----------------------------------|------|--------------|----------------|------|
| Induktivität / Inductance | 100kHz / 100mV @ 21mA DC-Bias | OCL | 120 | µH | min. |
| Übersetzungsverhältnis / Turns ratio | 100kHz / 100mV | TR | 1 : 1 | Tx | ±2% |
| | | | 1 : 1 | Rx | |
| Insertion Loss | 1-100MHz | IL | -1,0 | dB | max. |
| Return Loss | 1 MHz-30 MHz @ 100Ω | RL | -16 | dB | min. |
| | 30 MHz-60 MHz @ 100Ω | | -12 | | |
| | 60 MHz-80 MHz @ 100Ω | | -10 | | |
| | 80 MHz-100 MHz @ 100Ω | | -10 | | |
| Common Mode Rejection Ratio | 1MHz-30MHz | CMRR | -40 | dB | min. |
| | 30MHz-60MHz | | -35 | | |
| | 60MHz-100MHz | | -30 | | |
| Crosstalk | 1MHz-60MHz | CT | -32 | dB | min. |
| | 60MHz-100MHz | | -30 | | |

C Lötpad / soldering spec. :



D Prüfgeräte / test equipment :

| | |
|---------------|------------------|
| E5071C | Network Analyzer |
| UH36 | HiPot Tester |
| E4980A | LCR Meter |

E Testbedingungen / test conditions :

| | |
|------------------------------------|-------|
| Luftfeuchtigkeit / humidity: | 33% |
| Umgebungstemperatur / temperature: | +25°C |

F Werkstoffe & Zulassungen / material & approvals :

| | |
|--------------------------------|-----------------|
| Basismaterial / base material: | Ferrit/ ferrite |
| Draht / wire: | QPN 180 |
| Gehäuse / case | UL94-V0 |
| Verguss / potting | UL94-V0 |

G Eigenschaften / general specifications :

Betriebstemp. / operating temperature: - 40°C - + 85°C
 Hochspannungsprüfung / Hipot test: 1500Vrms 1min.
 Geeignet für 10/100Base-TX gemäß IEEE 802.3at /
 Compliant with IEEE 802.3at for 10/100Base-TX-Applications
 Auto MDIX fähig / Auto MDIX capable
 Stromtragfähigkeit 720mA / Current capability up to 720mA

| | | | | |
|-------------------------------------|--------------------------|------|-------------------------|--------------|
| Freigabe erteilt / general release: | Kunde / customer | | | |
| | | | | |
| Datum / date | Unterschrift / signature | JaB | Version 06 | 2018-08-20 |
| | Würth Elektronik | JaB | Version 05 | 2017-07-05 |
| Geprüft / checked | Kontrolliert / approved | JaB | Version 04 | 2016-08-09 |
| | | JaB | Version 03 | 2016-09-14 |
| | | JaB | Version 02 | 2016-07-26 |
| | | JaB | Version 01 | 2015-01-08 |
| | | Name | Änderung / modification | Datum / date |

Würth Elektronik eiSos GmbH & Co.KG

D-74638 Waldenburg · Max-Eyth-Straße 1 - 3 · Germany · Telefon (+49) (0) 7942 - 945 - 0 · Telefax (+49) (0) 7942 - 945 - 400
<http://www.we-online.com>

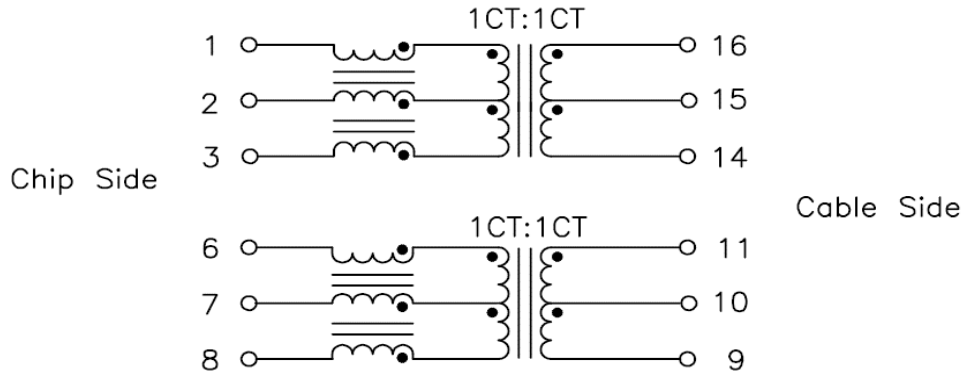
Spezifikation für Freigabe / specification for release

Kunde / customer :
 Artikelnummer / part number : **7490120110**
 Bezeichnung : **LAN-Übertrager WE-LAN**
 description : **LAN-Transformer WE-LAN**



DATUM / DATE : 2018-08-20

H Schaltbild / Schematics :



| | | | | |
|-------------------------------------|--------------------------|------|-------------------------|--------------|
| Freigabe erteilt / general release: | Kunde / customer | | | |
| | | | | |
| Datum / date | Unterschrift / signature | | | |
| | Würth Elektronik | | | |
| Geprüft / checked | Kontrolliert / approved | Name | Änderung / modification | Datum / date |
| | | | | |
| | | | | |
| | | | | |
| | | | | |
| | | | | |

Würth Elektronik eiSos GmbH & Co.KG

D-74638 Waldenburg · Max-Eyth-Straße 1 - 3 · Germany · Telefon (+49) (0) 7942 - 945 - 0 · Telefax (+49) (0) 7942 - 945 - 400
<http://www.we-online.com>

Spezifikation für Freigabe / specification for release

Kunde / customer :
 Artikelnummer / part number : **7490120110**
 Bezeichnung : **LAN-Übertrager WE-LAN**
 description : **LAN-Transformer WE-LAN**

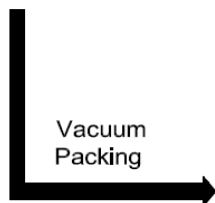
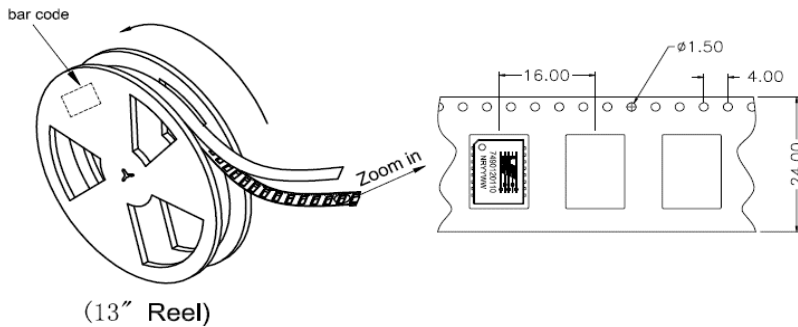


DATUM / DATE : 2018-08-20

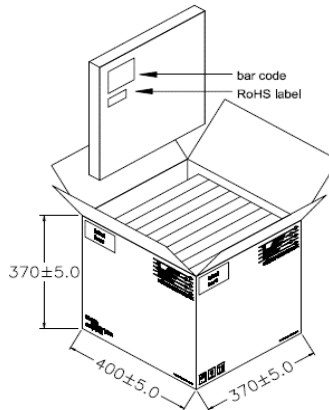
I Rollenspezifikation / tape and reel specification :

Gurtspezifikation / Tape specification:

PACKAGING(Tape & Reel)



Outside Carton



PACKING QUANTITY:

650pcs Finished Goods / Reel
 10 Reels (6500pcs Finished Goods) / Carton

| | | | | |
|-------------------------------------|--------------------------|------|-------------------------|--------------|
| Freigabe erteilt / general release: | Kunde / customer | | | |
| | | JaB | Version 06 | 2018-08-20 |
| Datum / date | Unterschrift / signature | JaB | Version 05 | 2017-07-05 |
| | Würth Elektronik | JaB | Version 04 | 2016-08-09 |
| | | JaB | Version 03 | 2016-09-14 |
| Geprüft / checked | Kontrolliert / approved | JaB | Version 02 | 2016-07-26 |
| | | JaB | Version 01 | 2015-01-08 |
| | | Name | Änderung / modification | Datum / date |

This electronic component has been designed and developed for usage in general electronic equipment. Before incorporating this component into any equipment where higher safety and reliability is especially required or if there is the possibility of direct damage or injury to human body, for example in the range of aerospace, aviation, nuclear control, submarine, transportation, (automotive control, train control, ship control), transportation signal, disaster prevention, medical, public information network etc. Würth Elektronik eiSos GmbH must be informed before the design-in stage. In addition, sufficient reliability evaluation checks for safety must be performed on every electronic component which is used in electrical circuits that require high safety and reliability functions or performance.

Würth Elektronik eiSos GmbH & Co.KG

D-74638 Waldenburg · Max-Eyth-Straße 1 - 3 · Germany · Telefon (+49) (0) 7942 - 945 - 0 · Telefax (+49) (0) 7942 - 945 - 400
<http://www.we-online.com>

Mouser Electronics

Authorized Distributor

Click to View Pricing, Inventory, Delivery & Lifecycle Information:

[Wurth Electronics:](#)

[7490120110](#)