

Click to view price, real time Inventory,
Delivery & Lifecycle Information ;

MPXY8020A6U

NXP USA Inc.

SENSOR TIRE PRESS MONITOR 8-SSOP

Any questions, please feel free to contact us.
info@kaimte.com

Tire Pressure Monitoring Sensor Temperature Compensated and Calibrated, Fully Integrated, Digital Output

The Freescale Semiconductor MPXY8000 series sensor is an 8-pin tire monitoring sensor which is comprised of a variable capacitance pressure sensing element, a temperature sensing element, and an interface circuit (with a wake-up feature) all on a single chip. It is housed in a Super-Small Outline Package (SSOP), which includes a media protection filter. Specifically designed for the low power consumption requirements of tire pressure monitoring systems, it can combine with a Freescale Semiconductor remote keyless entry (RKE) system to facilitate a low-cost, highly integrated system.

DETAILED DESCRIPTION

The block diagram of the MPXY8000 series sensor is shown in Figure 1. The pressure sensor is a capacitive transducer constructed using surface micromachining, the temperature sensor is constructed using a diffused resistor, and the interface circuit is integrated onto the same die as the sensors using a standard silicon CMOS process.

The conditioning of the pressure signal begins with a capacitance to voltage conversion (C to V) followed by a switched capacitor amplifier. This amplifier has adjustable offset and gain trimming. The offset and gain are factory calibrated, with calibration values stored in the EEPROM trim register. This amplifier also has temperature compensation circuits for both sensitivity and offset, which also are factory adjusted using the EEPROM trim register.

The pressure is monitored by a voltage comparator, which compares the measured value against an 8-bit threshold adjusted by a serial input. By adjusting the threshold and monitoring the state of the OUT pin the external device can check whether a low-pressure threshold has been crossed, or perform up to 8-bit A/D conversions.

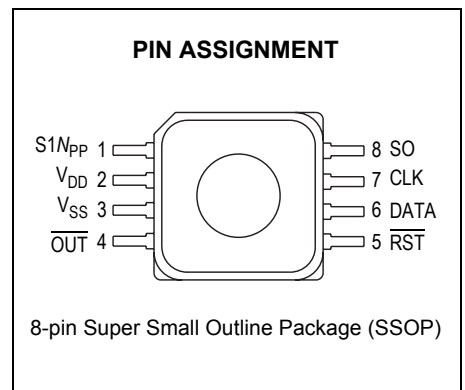
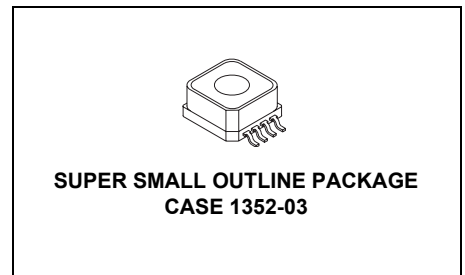
The temperature is measured by a diffused resistor with a positive temperature coefficient driven by a current source, thereby creating a voltage. The room temperature value of this voltage is factory calibrated using the EEPROM trim register. A two-channel multiplexer can route either the pressure or temperature signal to a sampling capacitor that is monitored by a voltage comparator with variable threshold adjust, providing a digital output for temperature.

An internal low frequency, low power 5.4 kHz oscillator with a 14-stage divider provides a periodic pulse to the OUT pin (divide by 16384 for 3 seconds). This pulse can be used to wake up an external MCU to begin an interface with the device. An additional 10-stage divider will provide a pulse every 52 minutes which can be used to reset an external MCU.

The power consumption can be controlled by several operational modes selected by external pins.

MPXY8020A
MPXY8040A

**TIRE PRESSURE
 MONITORING SENSOR**
MPXY8020A:
OPTIMIZED FOR 250 kPa – 450 kPa
MPXY8040A:
OPTIMIZED FOR 500 kPa – 900 kPa



ORDERING INFORMATION	
Shipped in Rails	Shipped in Tape & Reel
MPXY8020A6U MPXY8040A6U	MPXY8020A6T1 MPXY8040A6T1

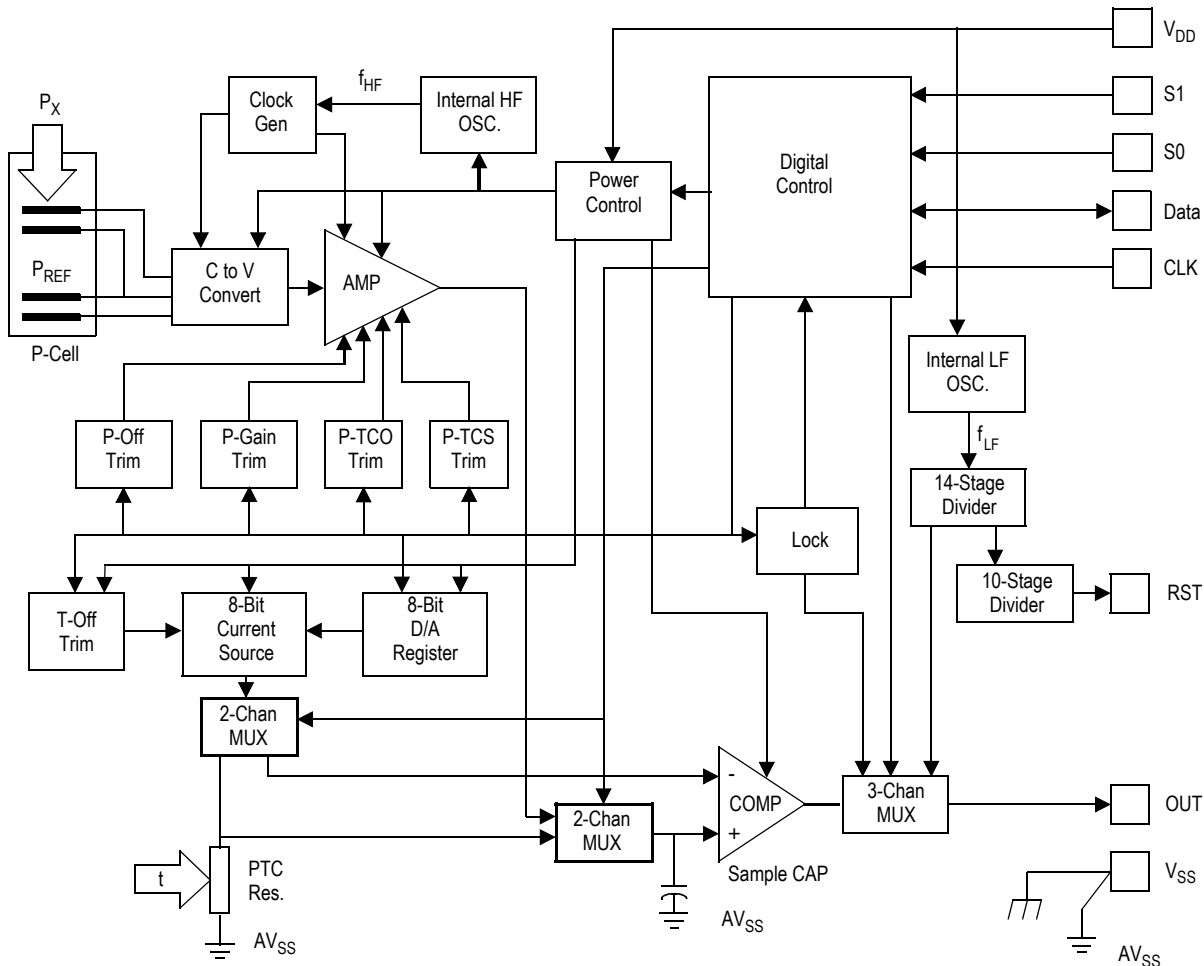


Figure 1. MPXY8000 Series Sensor Block Diagram

OPERATING MODES

The device has several operating modes dependent on the applied voltages to the S1 and S0 pins as shown in [Table 1](#). In all the modes listed the channel multiplexers, D/A Register, LFO, and the output pulse dividers will always be powered up as long as there is a voltage source connected to the V_{DD} pin.

When only the S0 pin is at a logic one the pressure measuring circuit in the device is powered up and the pressure output signal is connected to the sample capacitor through a multiplexer. When the S0 pin returns to the low state the multiplexer will first turn off to store the signal on the sample capacitor before powering down the measuring circuitry.

When only the S1 pin is at a logic one the temperature measuring circuit in the device is powered up and the temperature output signal is connected to the sample capacitor through a multiplexer. When the S1 pin returns to the low state the multiplexer will first turn off to store the signal

on the sample capacitor before powering down the measuring circuitry.

NOTE: All of the EEPROM trim bits will be powered up regardless of whether the pressure or temperature measuring circuitry is activated.

NOTE: If the voltage on the S1 pin exceeds 2.5 times the voltage on the V_{DD} pin the device will be placed into its Trim/Test Mode.

NOTE: If the V_{DD} supply source is switched off in order to reduce current consumption, it is important that all input pins be driven LOW to avoid powering up the device.

If any input pin (S1, S0, DATA, or CLK) is driven HIGH while the V_{DD} supply is switched off, the device may be powered up through an ESD protection diode. Such a case should be avoided. The effective source voltage of the device will be less than the applied voltage due to diode voltage drop. In addition, the entire source current will be drawn from the input pin.

Table 1. Operating Modes

S1	S0	Operating Mode	Circuitry Powered				Serial Data Counter
			Pressure Measure System	Temp Measure System	A/D Output Comp.	LFO Oscill.	
0	0	Standby/Reset	OFF	OFF	OFF	ON	ACTIVE
0	1	Measure Pressure	ON	OFF	OFF	ON	RESET
1	0	Measure Temperature	OFF	ON	OFF	ON	RESET
1	1	Output Read	OFF	OFF	ON	ON	ACTIVE

PIN FUNCTIONS

The following paragraphs give a description of the general function of each pin.

V_{DD} and V_{SS} Pins

Power is supplied to the control IC through V_{DD} and V_{SS}. V_{DD} is the positive supply and V_{SS} is the digital and analog

ground. The control IC operates from a single power supply. Therefore, the conductors to the power supply should be connected to the V_{DD} and V_{SS} pins and locally decoupled as shown in Figure 2.

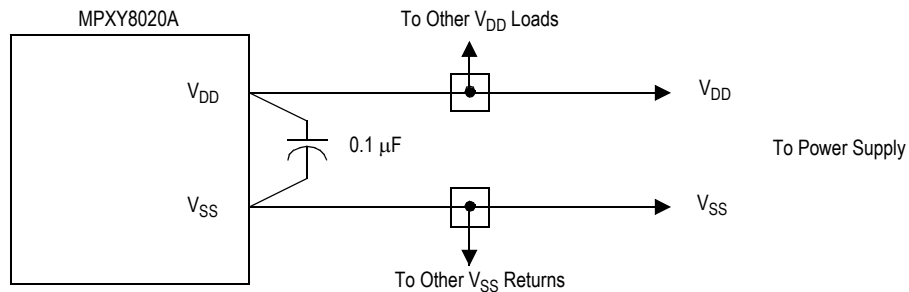


Figure 2. Recommended Power Supply Connections

OUT Pin

The OUT pin normally provides a digital signal related to the voltage applied to the voltage comparator and the threshold level shifted into an 8-bit register from an external device. When the device is placed in the standby mode the

OUT pin is driven high and will be clocked low when an overflow is detected from a clock divider (divide by 16384) driven by the LFO. This allows the OUT pin to wake up an external device such as an MCU.

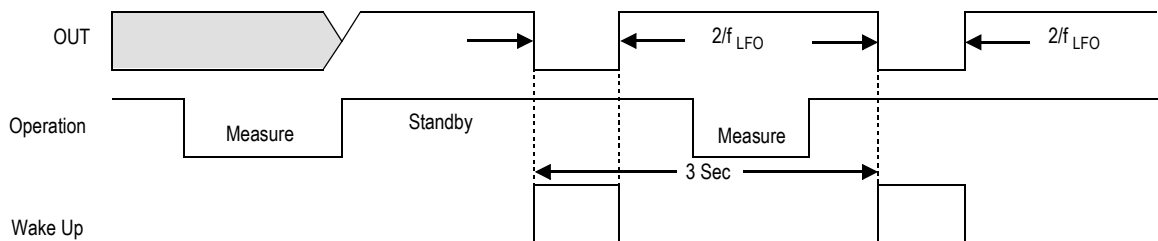


Figure 3. Pulse on OUT Pin During Standby Mode

RST Pin

The RST pin is normally driven high and will be clocked low when an overflow is detected from total clock divider

(divide by 16,777,216) driven by the LFO. This allows the RST pin to reset an external device such as an MCU. This pulse will appear on the RST pin approximately every 52 minutes regardless of the operating mode of the device.

MPXY8000

The pulse lasts for two cycles of the LFO oscillator as shown in Figure 4. Since the RST pin is clocked from the same

divider string as the $\overline{\text{OUT}}$ pin, there will also be a pulse on the $\overline{\text{OUT}}$ pin when the $\overline{\text{RST}}$ pin pulses every 52 minutes.

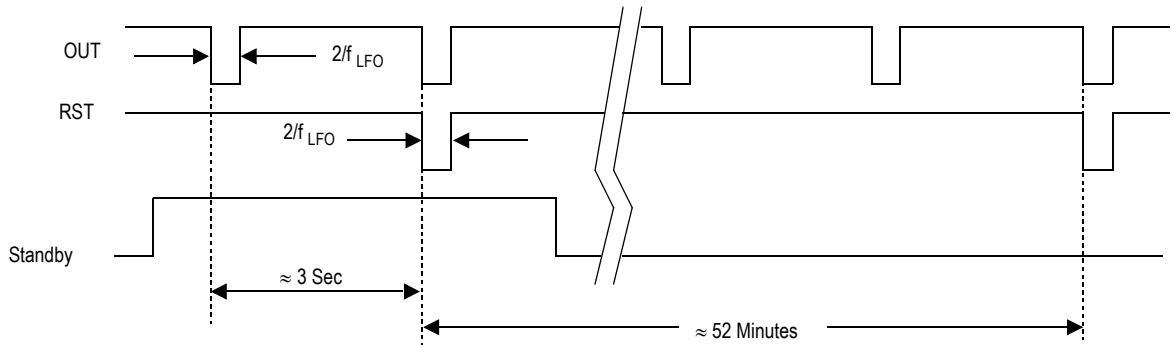


Figure 4. Pulse on $\overline{\text{RST}}$ Pin

S0 Pin

The S0 pin is used to select the mode of operation as shown in Table 1.

The S0 pin contains an internal Schmitt trigger as part of its input to improve noise immunity. The S0 pin has an internal pull-down device in order to provide a low level when the pin is left unconnected.

S1 Pin

The S1 pin is used to select the mode of operation, as shown in Table 1.

The S1 pin contains an internal Schmitt trigger as part of its input to improve noise immunity. This pin has an internal pull-down device to provide a low level when the pin is left unconnected.

The S1 pin also serves the purpose of enabling factory trim and test of the device.

The higher V_{PP} programming voltage for the internal EEPROM trim register is also supplied through the S1 pin.

DATA Pin

The DATA pin is the serial data in (SDI) function for setting the threshold of the voltage comparator.

The DATA pin contains an internal Schmitt trigger as part of its input to improve noise immunity. This pin has an internal pull-down device to provide a low level when the pin is left unconnected.

CLK Pin

The CLK pin is used to provide a clock used for loading and shifting data into the DATA pin. The data on the DATA pin is clocked into a shift register on the rising edge of the CLK pin signal. The data is transferred to the D/A Register on the eighth falling edge of the CLK pin. This protocol may be handled by the SPI or SIOP serial I/O function found on some MCU devices.

The CLK pin contains an internal Schmitt trigger as part of its input to improve noise immunity. The CLK pin has an internal pull-down device to provide a low level when the pin is left unconnected.

Output Threshold Adjust

The state of the OUT pin is driven by a voltage comparator whose output state depends on the level of the input voltage on the sample capacitor and the level of an adjustable 8-bit threshold voltage. The threshold is adjusted by shifting data bits into the D/A Register (DAR) via the DATA pin while clocking the CLK pin. The timing of this data is shown in Figure 4. Data is transferred into the serial shift register on the rising edge of the CLK pin. On the falling edge of the 8th clock the data in the serial shift register is latched into the parallel DAR register. The DAR remains powered up whenever V_{DD} is present. The serial data is clocked into the DATA pin starting with the MSB first. This sequence of threshold select bits is shown in Table 2.

Table 2. D/A Threshold Bit Assignment

Function	Bit Weight	Data Bit
Voltage Comparator Threshold Adjust (8 bits)	1	D0
	2	D1
	4	D2
	8	D3
	16	D4
	32	D5
	64	D6
	128	D7

An analog to digital (A/D) conversion can be accomplished with eight (8) different threshold levels in a successive approximation algorithm; or the OUT pin can be set to trip at some alarm level. The voltage on the sample capacitor will maintain long enough for a single 8-bit conversion, but may need to be refreshed with a new measured reading if the read interval is longer than the specified hold time, t_{SH} .

The counter that determines the number of clock pulses into the device is reset whenever the device is placed into the Measure Pressure or Measure Temperature Modes. This provides a means to reset the data transfer count in case the

clock stream is corrupted during a transmission. In these two modes the DATA and CLK pins should not be clocked to reduce noise in the captured pressure or temperature data. Any change in the DAR contents should be done during the Standby or Output Read Modes.

Both the serial bit counter and the state of the DAR are undefined following power up of the device. The serial bit counter can be reset by cycling either the SO pin or the S1/VPP pin to a high level and then back low. The DAR can then be reset to the lowest level by holding the DATA pin low while bursting the CLK pin with eight (8) clock pulses.

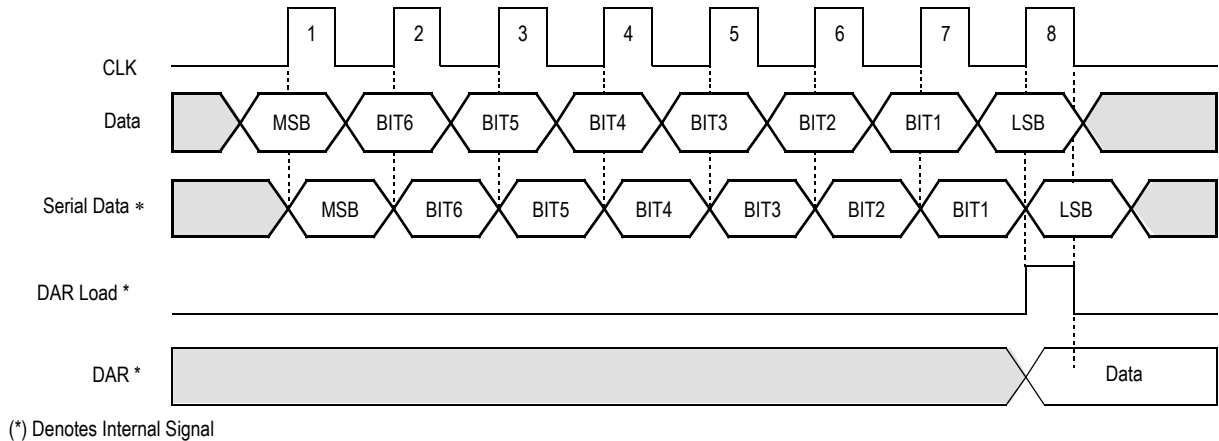


Figure 5. Serial Data Timing

Pressure Sensor Output

The pressure channel compares the output of its analog measurement circuit to the D/A reference voltage. The device is calibrated at two different nominal values depending on the calibration option.

Temperature Sensor Output

The temperature channel compares the output of a positive temperature coefficient (PTC) resistor driven by a

switched current source. The current source is only active when the temperature channel is selected.

APPLICATIONS

Suggested application example is shown in Figure 6.

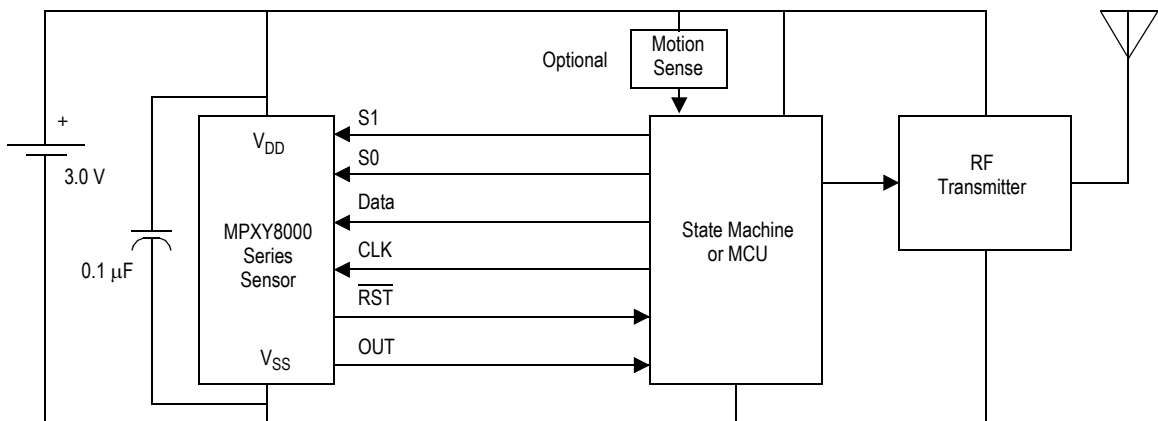


Figure 6. Application Example

MPXY8000

Sensors
Freescale Semiconductor

ELECTRICAL SPECIFICATIONS

Maximum ratings are the extreme limits to which the device can be exposed without permanently damaging it. The device contains circuitry to protect the inputs against damage

from high static voltages; however, do not apply voltages higher than those shown in the table below. Keep V_{IN} and V_{OUT} within the range $V_{SS} \leq (V_{IN} \text{ or } V_{OUT}) \leq V_{DD}$.

Table 3. Maximum Ratings

Rating	Symbol	Value	Unit
Supply Voltage	V_{DD}	-0.3 to +4.0	V
Short Circuit Capability (all pins excluding V_{DD} and V_{SS})			
Maximum High Voltage for 5 minutes	V_{SC}	V_{DD}	V
Minimum Low Voltage for 5 minutes	V_{SC}	V_{SS}	V
Substrate Current Injection Current from any pin to V_{SS} -0.3 VDC)	I_{SUB}	600	μ A
Electrostatic Discharge			
Human Body Model (HBM)	V_{ESD}	± 1000	V
Charged Device Model (CDM)	V_{ESD}	± 1000	V
Machine Model (MM)	V_{ESD}	± 200	V
Storage Temperature Range Standard Temperature Range	T_{stg}	-40 to +150	$^{\circ}$ C

ELECTRO STATIC DISCHARGE (ESD)

WARNING: This device is sensitive to electrostatic discharge.

Extra precaution must be taken by the user to protect the chip from ESD. A charge of over 1000 volts can accumulate

on the human body or associated test equipment. A charge of this magnitude can alter the performance or cause failure of the chip. When handling the pressure sensor, proper ESD precautions should be followed to avoid exposing the device to discharges which may be detrimental to its performance.

Table 4. Operating Range

These are the limits normally expected in the application which define range of operation.

Characteristic	Symbol	Min	Typ	Max	Units
Supply Voltage	V_{DD}	2.1	3.0	3.6	V
Operating Temperature Range Standard Temperature Range	T_A	T_L -40	—	T_H +125	$^{\circ}$ C
Supply Current Drain					
Standby Mode					
-40 $^{\circ}$ C to +85 $^{\circ}$ C	I_{STBY}	—	0.6	0.9	μ A
+85 $^{\circ}$ C to +100 $^{\circ}$ C	I_{STBY}	—	0.8	1.2	μ A
+100 $^{\circ}$ C to +125 $^{\circ}$ C	I_{STBY}	—	1.5	2.2	μ A
Read Mode					
-40 $^{\circ}$ C to +125 $^{\circ}$ C	I_{READ}	—	400	600	μ A
Measure Temperature Mode					
-40 $^{\circ}$ C to +125 $^{\circ}$ C	I_{TEMP}	—	400	600	μ A
Measure Pressure Mode					
-40 $^{\circ}$ C to +10 $^{\circ}$ C	I_{PRESS}	—	1400	1800	μ A
+10 $^{\circ}$ C to +60 $^{\circ}$ C	I_{PRESS}	—	1300	1700	μ A
+60 $^{\circ}$ C to +125 $^{\circ}$ C	I_{PRESS}	—	1200	1700	μ A

MPXY8000

Sensors
Freescale Semiconductor

Table 5. Electrical Characteristics+2.1 V ≤ V_{DD} ≤ +3.6 V, T_L ≤ T_A ≤ T_H, unless otherwise specified.

Characteristic	Symbol	Min	Typ	Max	Units
Output High Voltage DATA, OUT, $\overline{\text{RST}}$ (I _{Load} = 100 μA)	V _{OH}	V _{DD} - 0.8	—	—	V
Output Low Voltage DATA, OUT, $\overline{\text{RST}}$ (I _{Load} = -100 μA)	V _{OL}	—	—	0.4	V
Input High Voltage S0, S1, DATA, CLK	V _{IH}	0.7 x V _{DD}	—	—	V
Input Low Voltage S0, S1, DATA, CLK	V _{IL}	V _{SS}	—	0.3 x V _{DD}	V
Input Hysteresis (V _{IH} - V _{IL}) S0, S1, DATA, CLK	V _{HYS}	100	200	—	mV
Input Low Current (at V _{IL}) S0, S1, DATA, CLK	I _{IL}	-5	-25	-100	μA
Input High Current (at V _{IH}) S0, S1, DATA, CLK	I _{IH}	-5	-35	-140	μA ⁽²⁾
Temperature Measurement (+2.5 V ≤ V _{DD} ≤ 3.0 V)					
D/A Conversion Code at -40°C	T ₋₄₀	36	42	47	counts
D/A Conversion Code at -20°C	T ₋₂₀	52	57	62	counts
D/A Conversion Code at 25°C	T ₂₅	97	102	107	counts
D/A Conversion Code at 70°C	T ₇₀	155	163	171	counts
D/A Conversion Code at 100°C	T ₁₀₀	204	214	224	counts
D/A Conversion Code at 120°C	T ₁₂₀	241	252	255	counts
D/A Conversion Code at 125°C	T ₁₂₅	249	255	255	counts
Temperature Measurement (+2.1 V ≤ V _{DD} ≤ 3.6 V)					
D/A Conversion Code at -40°C	T ₋₄₀	36	42	49	counts
D/A Conversion Code at -20°C	T ₋₂₀	52	57	64	counts
D/A Conversion Code at 25°C	T ₂₅	97	102	107	counts
D/A Conversion Code at 70°C	T ₇₀	154	163	172	counts
D/A Conversion Code at 100°C	T ₁₀₀	203	214	225	counts
D/A Conversion Code at 120°C	T ₁₂₀	240	252	255	counts
D/A Conversion Code at 125°C	T ₁₂₅	249	255	255	counts
Temperature Sensitivity at 25°C		—	0.80		°C/bit
Approximate Temperature Output Response		OUT = 74.75 + 0.075 x Ta + 0.0041 x Ta ²			counts

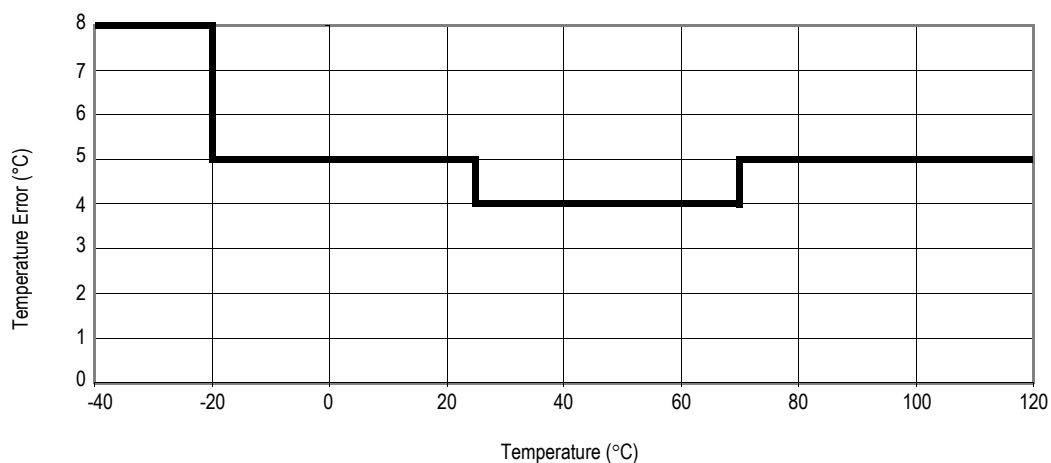
**Figure 7. Temperature Error vs Temperature at V_{DD} = 3.0 V****MPXY8000**Sensors
Freescale Semiconductor

Table 6. Control Timing

+2.1 V ≤ V_{DD} ≤ +3.6 V, T_L ≤ T_A ≤ T_H, unless otherwise specified.

Characteristic	Symbol	Min	Typ	Max	Units
HFO Measurement Clock Frequency	f _{Hf}	100	135	150	kHz
LFO Wake Up Clock Frequency	f _{LF}	3300	5400	8000	Hz
Ta = -40°C, +2.1V ≤ V _{DD} ≤ +3.6	f _{LF}	3900	5400	7700	Hz
Ta = +25°C, +2.1V ≤ V _{DD} ≤ +3.6	f _{LF}	3800	5300	7000	Hz
Ta = +125°C, +2.1V ≤ V _{DD} ≤ +3.6	f _{LF}				
Wake Up Pulse	t _{WAKE}	—	16384	—	LFO clocks
Pulse Timing	t _{WPW}	—	2	—	LFO clocks
Reset Pulse	t _{RESET}	—	16,777,216	—	LFO clocks
Pulse Timing	t _{RPW}	—	2	—	LFO clocks
Pulse Width					
Minimum Setup Time (DATA edge to CLK rise)	t _{SETUP}	100	—	—	nSec
Minimum Hold Time (CLK rise to DATA change)	t _{HOLD}	100	—	—	nSec
Measurement Response Time					
Recommended time to hold device in measurement mode					
Temperature	t _{TMEAS}	—	200	—	μSec
Pressure	t _{PMEAS}	—	500	—	μSec
Read Response Time (see Figure 8)					
From 90% V _{DD} on S0 to OUT less than V _{OL} or greater than V _{OH}	t _{READ}	—	50	100	μSec
Sample Capacitor Discharge Time					
From initial full scale D/A count (255) to drop 2 counts (253)	t _{SH}	20	—	—	mSec

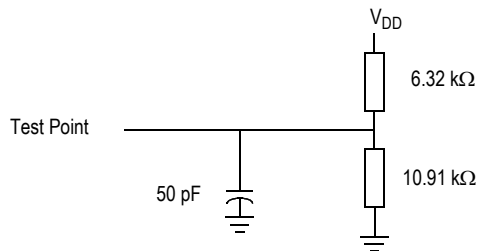


Figure 8. Control Timing Test Load for OUT and $\overline{\text{RST}}$ Pins

SENSOR CHARACTERISTICS (MPXY8020A)

Pressure Transfer Function

kPa = 2.5 x Output ± (Pressure Error)

Output = 8-bit digital pressure measurement (between 0-255)

Pressure Error (±kPa): 50 kPa ≤ P < 250 kPa

T[°C] \ V _{DD} [V]	2.1	2.5	2.7	3.0	3.3	3.6
-40	72.5	72.5	32.5	32.5	32.5	35.0
-20	57.5	57.5	25.0	25.0	25.0	27.5
0	57.5	57.5	25.0	25.0	25.0	27.5
25	57.5	57.5	25.0	25.0	25.0	27.5
70	57.5	57.5	27.5	25.0	25.0	27.5
100	72.5	72.5	37.5	37.5	37.5	37.5
125	95.0	92.5	57.5	47.5	47.5	47.5

Pressure Error (±kPa): 250 kPa ≤ P ≤ 450 kPa

T[°C] \ V _{DD} [V]	2.1	2.5	2.7	3.0	3.3	3.6
-40	40.0	40.0	25.0	25.0	25.0	30.0
-20	32.5	25.0	15.0	15.0	15.0	20.0
0	30.0	25.0	10.0	10.0	10.0	15.0
25	30.0	25.0	7.5	7.5	7.5	15.0
70	35.0	25.0	10.0	7.5	7.5	15.0
100	40.0	40.0	25.0	25.0	25.0	30.0
125	62.5	60.0	35.0	35.0	35.0	35.0

Pressure Error (±kPa): 450 kPa < P ≤ 600 kPa

T[°C] \ V _{DD} [V]	2.1	2.5	2.7	3.0	3.3	3.6
-40	70.0	70.0	37.5	37.5	37.5	40.0
-20	55.0	55.0	25.0	25.0	25.0	35.0
0	55.0	55.0	22.5	22.5	22.5	35.0
25	55.0	55.0	22.5	22.5	22.5	35.0
70	55.0	55.0	25.0	25.0	25.0	35.0
100	70.0	70.0	32.5	32.5	32.5	40.0
125	90.0	90.0	47.5	47.5	47.5	52.5

Areas marked in grey indicate the typical operating range.

MPXY8000

SENSOR CHARACTERISTICS (MPXY8020A)

Pressure Error

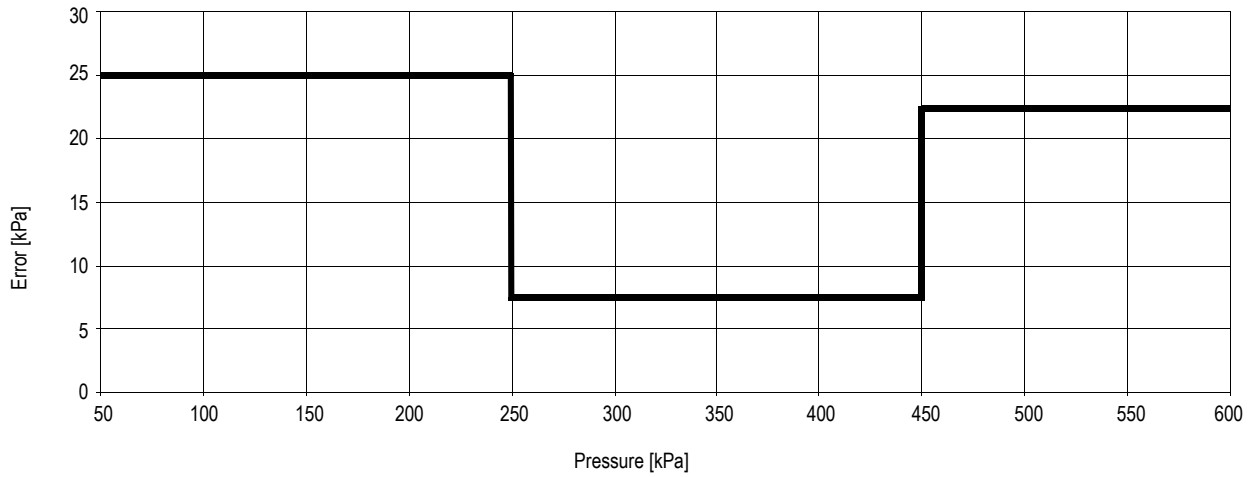


Figure 9. Pressure Error vs Pressure at T = 25°C, 2.7 V ≤ V_{DD} ≤ 3.3 V

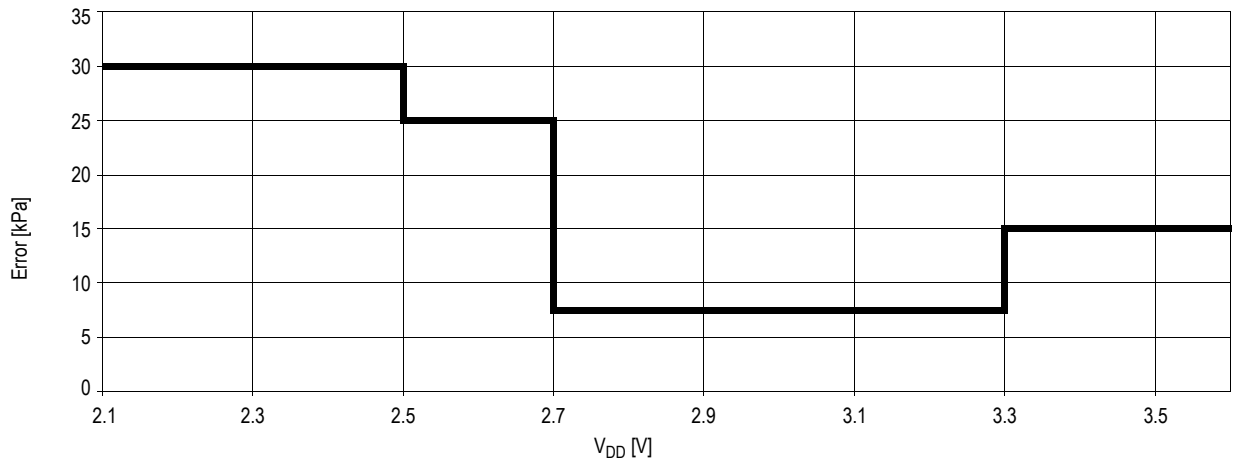


Figure 10. Pressure Error vs V_{DD} at T = 25°C, 250 kPa ≤ P ≤ 450 kPa

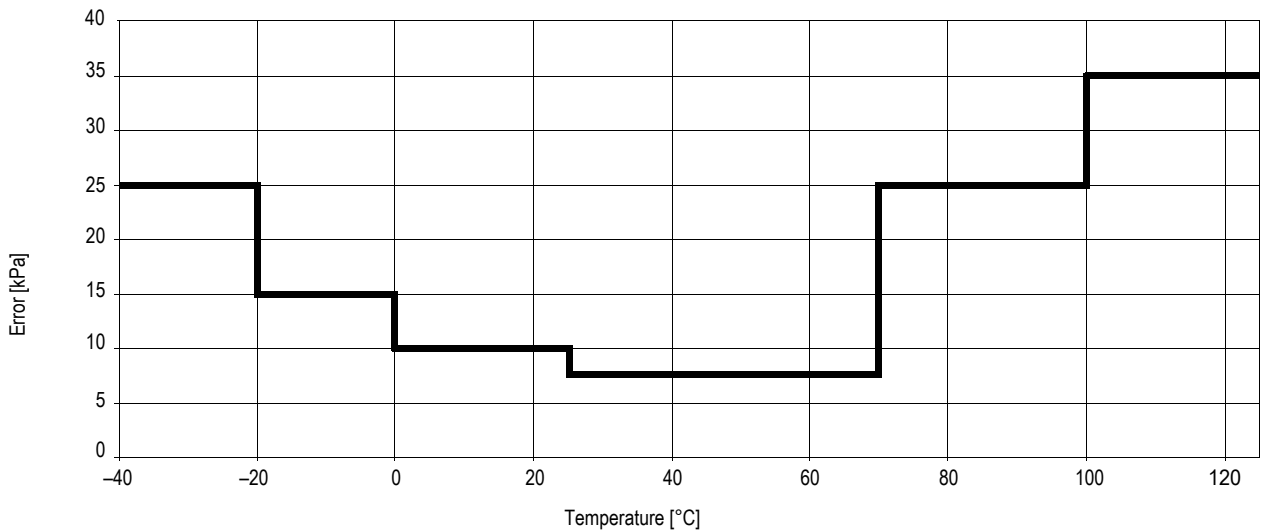


Figure 11. Pressure Error vs Temperature at V_{DD} = 3.0 V, 250 kPa ≤ P ≤ 450 kPa

SENSOR CHARACTERISTICS (MPXY8040A)

Pressure Transfer Function

kPa = 5.0 x Output ± (Pressure Error)

Output = 8-bit digital pressure measurement (between 0-255)

Pressure Error [±kPa]: 50 kPa ≤ P < 500 kPa

T[°C] \ V _{DD} [V]	2.1	2.3	2.5	2.7	3.0	3.3	3.6
-40	80	75	70	70	70	70	75
-20	70	60	55	55	55	55	60
0	60	50	45	45	45	45	55
25	55	45	40	40	40	45	50
70	70	55	50	50	50	50	55
100	80	70	65	65	65	65	70
125	90	85	80	80	80	80	80

Pressure Error [±kPa]: 500 kPa ≤ P < 900 kPa

T[°C] \ V _{DD} [V]	2.1	2.3	2.5	2.7	3.0	3.3	3.6
-40	75	65	60	60	60	60	65
-20	50	35	25	25	25	40	50
0	40	30	20	20	20	25	35
25	40	30	20	20	20	25	35
70	40	30	20	20	20	25	35
100	60	45	35	35	35	45	60
125	90	85	80	80	80	80	80

Pressure Error [±kPa]: 900 kPa ≤ P < 1000 kPa

T[°C] \ V _{DD} [V]	2.1	2.3	2.5	2.7	3.0	3.3	3.6
-40	120	110	110	100	100	110	120
-20	100	80	80	60	60	80	100
0	90	60	60	40	40	60	90
25	90	60	60	40	40	60	90
70	90	75	75	60	60	75	90
100	90	90	90	75	75	90	90
125	130	120	120	110	110	120	130

Pressure Error [±kPa]: 1000 kPa ≤ P < 1100 kPa

T[°C] \ V _{DD} [V]	2.1	2.3	2.5	2.7	3.0	3.3	3.6
-40	130	120	120	100	100	120	130
-20	110	90	90	60	70	90	110
0	90	80	80	50	50	80	90
25	90	80	80	50	50	80	90
70	90	75	75	60	60	75	90
100	130	110	110	100	100	110	130
125	140	130	130	120	120	130	140

Pressure Error [±kPa]: 1100 kPa ≤ P ≤ 1275 kPa

T[°C] \ V _{DD} [V]	2.1	2.3	2.5	2.7	3.0	3.3	3.6
-40	150	140	140	120	120	140	150
-20	120	100	100	80	80	100	120
0	110	90	90	80	80	90	110
25	110	90	90	80	80	90	110
70	120	120	120	120	120	130	150
100	160	140	140	140	140	160	160
125	210	200	200	200	200	210	210

Areas marked in grey indicate the typical operating range.

Pressure values beyond 900 kPa are from characterization only. Pressure readings above 680 kPa are not tested in production.

MPXY8000

Sensors
Freescale Semiconductor

SENSOR CHARACTERISTICS (MPXY8040A)

Pressure Error

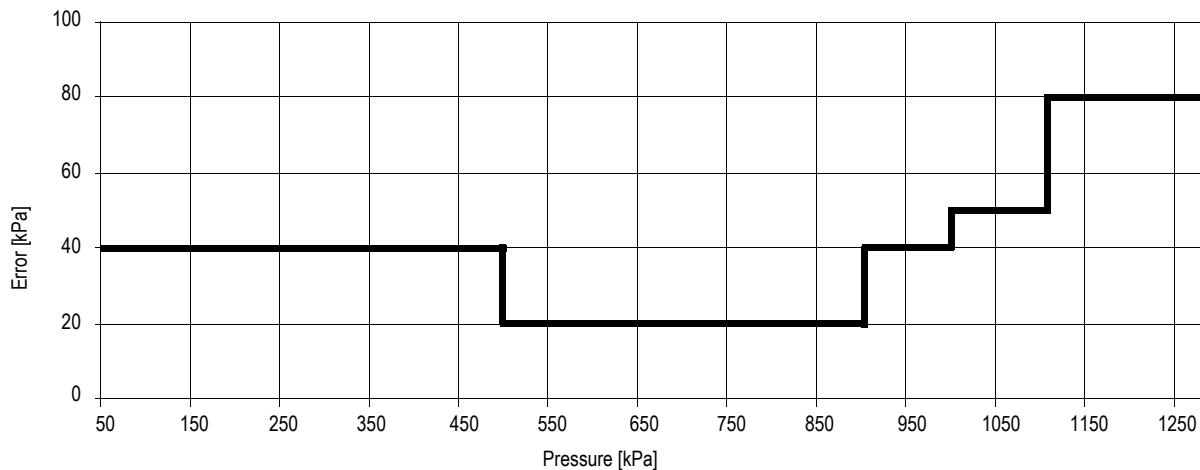


Figure 12. Pressure Error vs Pressure at T = 25°C, 2.7 V ≤ V_{DD} ≤ 3.0 V

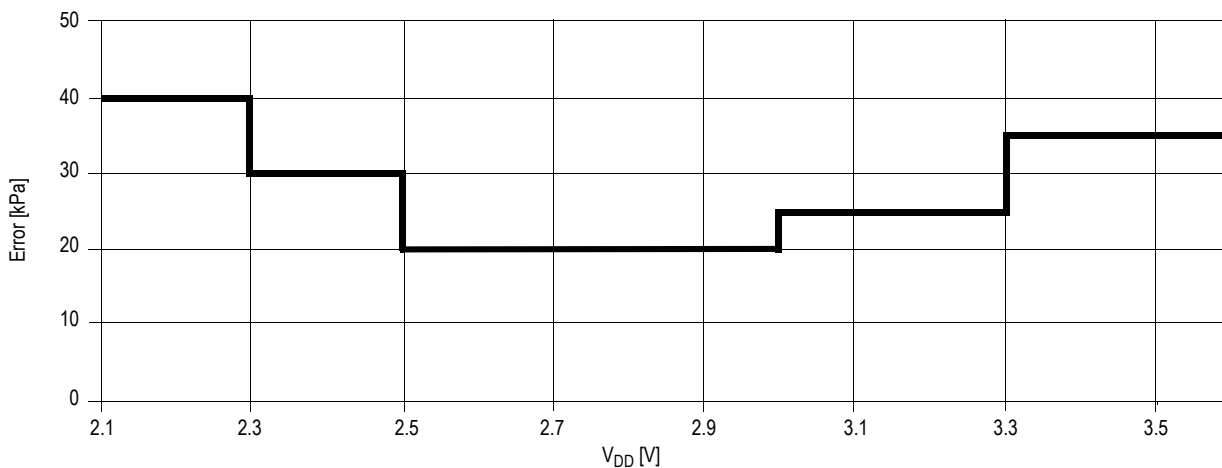


Figure 13. Pressure Error vs V_{DD} at T = 25°C, 500 kPa ≤ P ≤ 900kPa

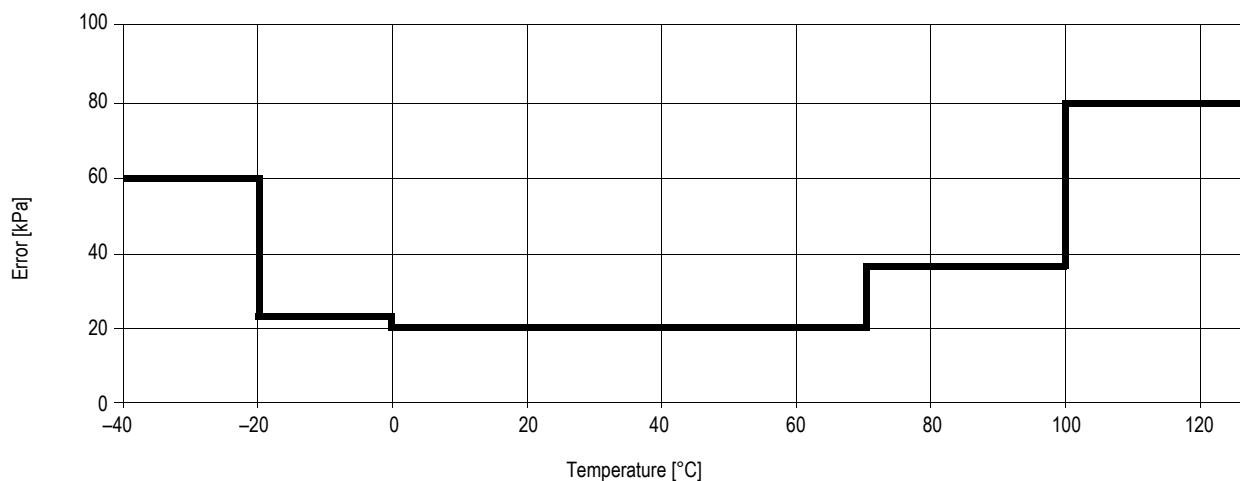


Figure 14. Pressure Error vs Temperature at V_{DD} = 3.0 V, 500 kPa ≤ P ≤ 900kPa

MECHANICAL SPECIFICATIONS

Maximum ratings are the extreme limits to which the device can be exposed without permanently damaging it.

Keep V_{IN} and V_{OUT} within the range $V_{SS} \leq (V_{IN} \text{ or } V_{OUT}) \leq V_{DD}$.

Table 7. Maximum Ratings

Rating	Symbol	Value	Unit
Maximum Pressure ⁽¹⁾	P_{max}	1400	kPa ⁽¹⁾
Centrifugal Force Effects (3 axis) Pressure measurement change less than 1% FSS	g_{CENT}	2000	g
Unpowered Shock (three sides, 0.5 mSec duration)	g_{Shock}	2000	g

1. Tested for 5 minutes at 25°C.

MEDIA COMPATIBILITY

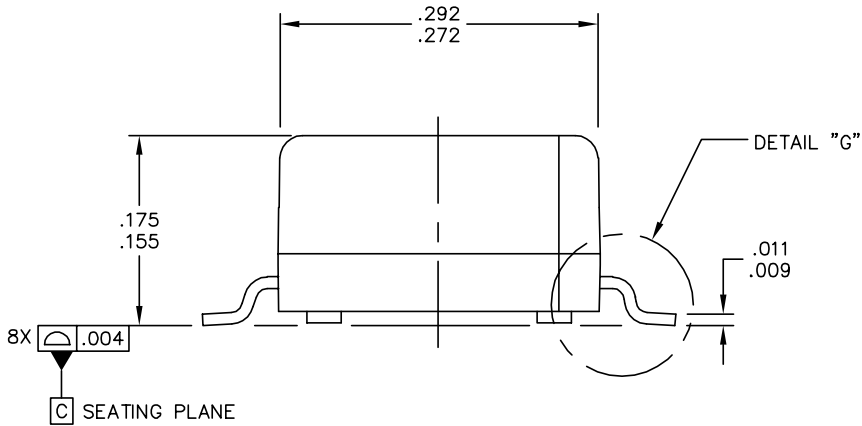
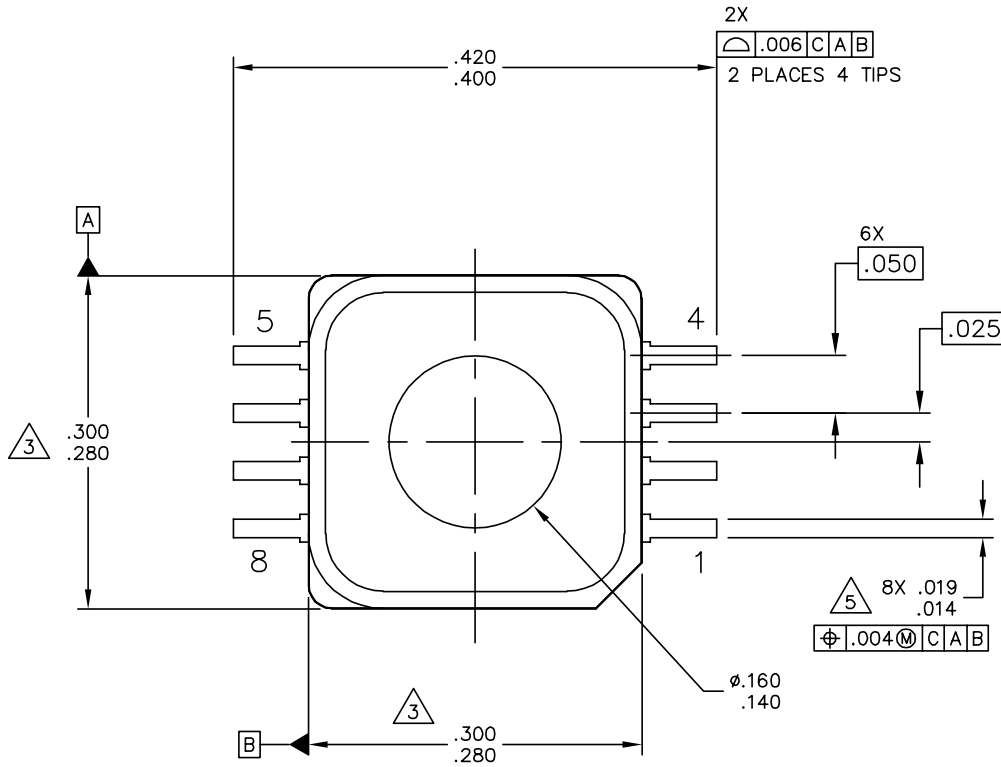
The Daytona sensor has been designed with the tire pressure application in mind. As such, it has been tested to a variety of media typical of the tire environment. The filter provides limited, but not universal, media protection.

The customer must ensure media compatibility of the Daytona sensor in their application. In particular, it is strongly recommended that the customer design the application such that media does not come in direct contact with the sensor. Module housing design and orientation will play a role in

protecting the sensor from direct media exposure. In the event that media does come in contact with the sensor it is desirable that the application minimize the duration and severity of exposure. Media may be forced through the filter by mechanical aspects of the application such as g-forces or rapid pressurization of the tire.

In addition, the customer maintains responsibility to design and carry out reliability testing verifying compatibility of the Daytona sensor with their module design and application.

PACKAGE DIMENSIONS



© FREESCALE SEMICONDUCTOR, INC. ALL RIGHTS RESERVED.	MECHANICAL OUTLINE	PRINT VERSION NOT TO SCALE	
TITLE: 8 LEAD TPMP GULL WING FORM	DOCUMENT NO: 98ASA99256D	REV: C	
	CASE NUMBER: 1352-03	24 JUL 2005	
	STANDARD: NON-JEDEC		

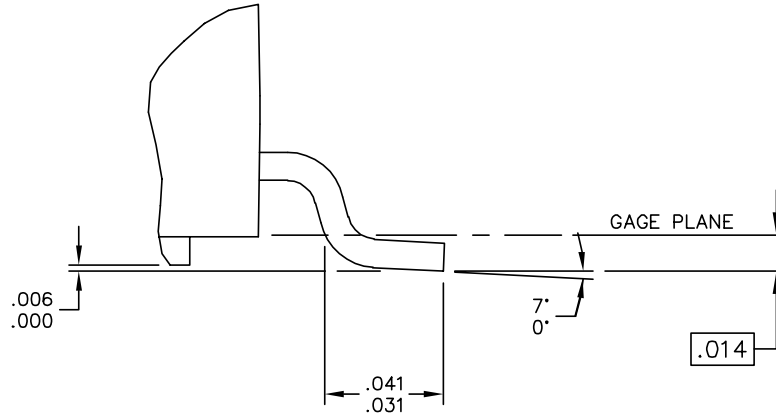
PAGE 1 OF 3

**CASE 1352-03
ISSUE C
SUPER SMALL OUTLINE PACKAGE**

MPXY8000

Sensor Devices
Freescale Semiconductor

PACKAGE DIMENSIONS



DETAIL "G"

© FREESCALE SEMICONDUCTOR, INC. ALL RIGHTS RESERVED.	MECHANICAL OUTLINE	PRINT VERSION NOT TO SCALE	
TITLE: 8 LEAD TPMP GULL WING FORM	DOCUMENT NO: 98ASA99256D	REV: C	
	CASE NUMBER: 1352-03	24 JUL 2005	
	STANDARD: NON-JEDEC		

PAGE 2 OF 3

**CASE 1352-03
ISSUE C
SUPER SMALL OUTLINE PACKAGE**

MPXY8000

Sensors
Freescale Semiconductor

PACKAGE DIMENSIONS

NOTES:

1. CONTROLLING DIMENSION: INCH.
2. INTERPRET DIMENSIONS AND TOLERANCES PER ASME Y14.5M-1994.
3. DIMENSIONS DO NOT INCLUDE MOLD FLASH OR PROTRUSIONS. MOLD FLASH AND PROTRUSIONS SHALL NOT EXCEED .006 PER SIDE.
4. ALL VERTICAL SURFACES TO BE 5° MAXIMUM.
5. DIMENSION DOES NOT INCLUDE DAMBAR PROTRUSION. ALLOWABLE DAMBAR PROTRUSION SHALL BE .008 MAX.

© FREESCALE SEMICONDUCTOR, INC. ALL RIGHTS RESERVED.	MECHANICAL OUTLINE	PRINT VERSION NOT TO SCALE	
TITLE: 8 LEAD TPMP GULL WING FORM	DOCUMENT NO: 98ASA99256D	REV: C	
	CASE NUMBER: 1352-03	24 JUL 2005	
	STANDARD: NON-JEDEC		

PAGE 3 OF 3

CASE 1352-03
ISSUE C
SUPER SMALL OUTLINE PACKAGE

MPXY8000

Sensors
Freescale Semiconductor

How to Reach Us:

Home Page:

www.freescale.com

E-mail:

support@freescale.com

USA/Europe or Locations Not Listed:

Freescale Semiconductor
Technical Information Center, CH370
1300 N. Alma School Road
Chandler, Arizona 85224
+1-800-521-6274 or +1-480-768-2130
support@freescale.com

Europe, Middle East, and Africa:

Freescale Halbleiter Deutschland GmbH
Technical Information Center
Schatzbogen 7
81829 Muenchen, Germany
+44 1296 380 456 (English)
+46 8 52200080 (English)
+49 89 92103 559 (German)
+33 1 69 35 48 48 (French)
support@freescale.com

Japan:

Freescale Semiconductor Japan Ltd.
Headquarters
ARCO Tower 15F
1-8-1, Shimo-Meguro, Meguro-ku,
Tokyo 153-0064
Japan
0120 191014 or +81 3 5437 9125
support.japan@freescale.com

Asia/Pacific:

Freescale Semiconductor Hong Kong Ltd.
Technical Information Center
2 Dai King Street
Tai Po Industrial Estate
Tai Po, N.T., Hong Kong
+800 2666 8080
support.asia@freescale.com

For Literature Requests Only:

Freescale Semiconductor Literature Distribution Center
P.O. Box 5405
Denver, Colorado 80217
1-800-441-2447 or 303-675-2140
Fax: 303-675-2150
LDCForFreescaleSemiconductor@hibbertgroup.com

Information in this document is provided solely to enable system and software implementers to use Freescale Semiconductor products. There are no express or implied copyright licenses granted hereunder to design or fabricate any integrated circuits or integrated circuits based on the information in this document.

Freescale Semiconductor reserves the right to make changes without further notice to any products herein. Freescale Semiconductor makes no warranty, representation or guarantee regarding the suitability of its products for any particular purpose, nor does Freescale Semiconductor assume any liability arising out of the application or use of any product or circuit, and specifically disclaims any and all liability, including without limitation consequential or incidental damages. "Typical" parameters that may be provided in Freescale Semiconductor data sheets and/or specifications can and do vary in different applications and actual performance may vary over time. All operating parameters, including "Typicals", must be validated for each customer application by customer's technical experts. Freescale Semiconductor does not convey any license under its patent rights nor the rights of others. Freescale Semiconductor products are not designed, intended, or authorized for use as components in systems intended for surgical implant into the body, or other applications intended to support or sustain life, or for any other application in which the failure of the Freescale Semiconductor product could create a situation where personal injury or death may occur. Should Buyer purchase or use Freescale Semiconductor products for any such unintended or unauthorized application, Buyer shall indemnify and hold Freescale Semiconductor and its officers, employees, subsidiaries, affiliates, and distributors harmless against all claims, costs, damages, and expenses, and reasonable attorney fees arising out of, directly or indirectly, any claim of personal injury or death associated with such unintended or unauthorized use, even if such claim alleges that Freescale Semiconductor was negligent regarding the design or manufacture of the part.

Freescale™ and the Freescale logo are trademarks of Freescale Semiconductor, Inc. All other product or service names are the property of their respective owners.

© Freescale Semiconductor, Inc. 2006. All rights reserved.



Mouser Electronics

Authorized Distributor

Click to View Pricing, Inventory, Delivery & Lifecycle Information:

[NXP:](#)

[MPXY8020A6T1](#) [MPXY8020A6U](#)