

THIS DRAWING IS UNPUBLISHED.

RELEASED FOR PUBLICATION

© COPYRIGHT - By -

ALL RIGHTS RESERVED.

LOC

DIST

REVISIONS

変更

DESCRIPTION

DATE

DWN

APVD

J

-

P

LTR

E4 REVISED PER ECO-11-005140

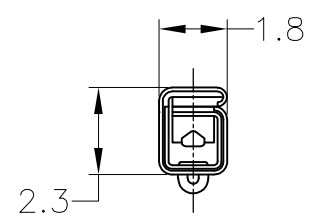
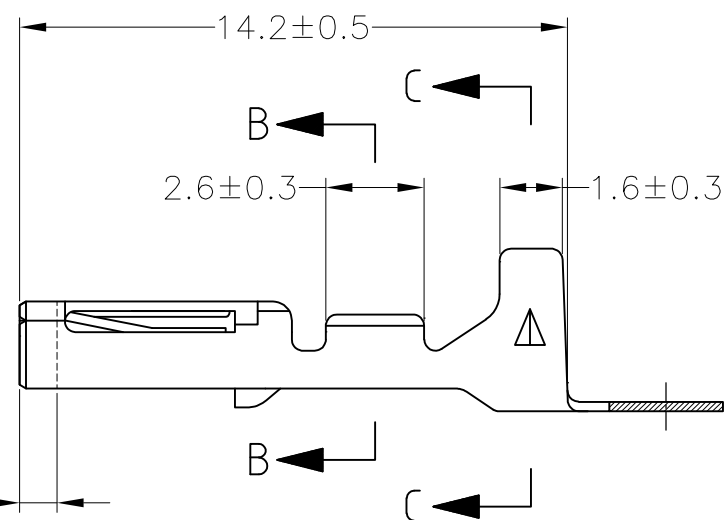
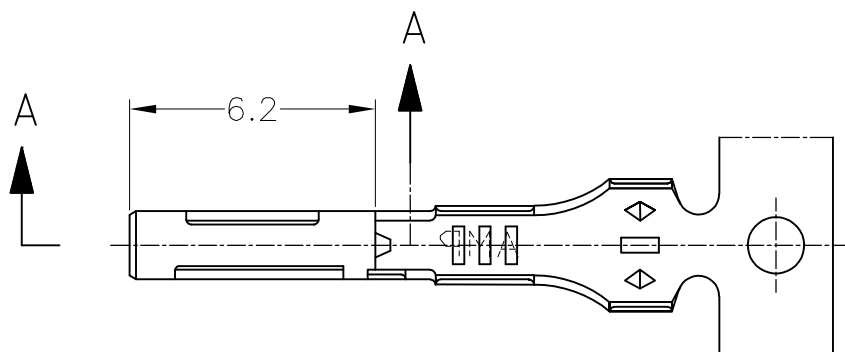
07APR11

RK

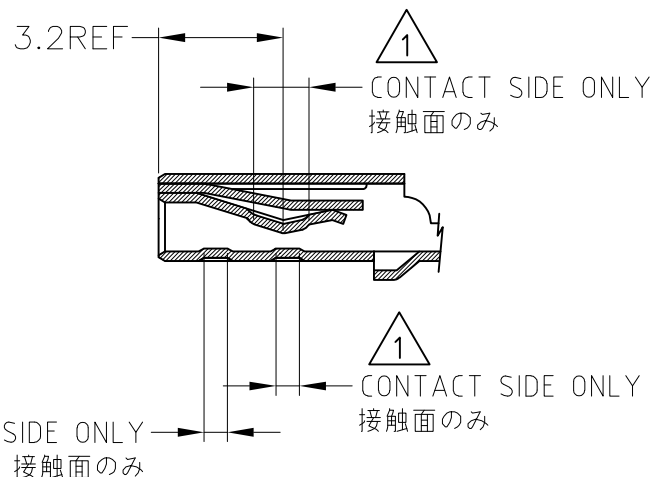
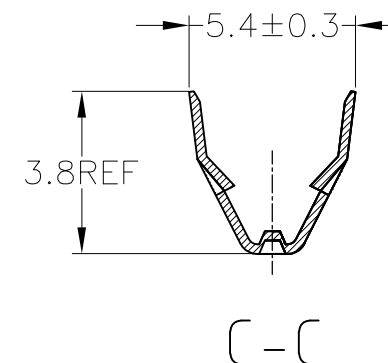
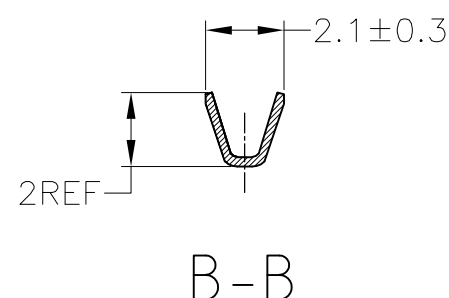
HMR

注：
△部分金めっき

NOTE：
△SELECTIVE GOLD



△1
I.D. OF GOLD PLATED
金めっき表示位置



△1
CONTACT SIDE ONLY
接触面のみ

A-A

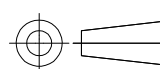
TOLERANCES UNLESS OTHERWISE SPECIFIED:

一般公差	
10 ≥	±0.2
30 ≥ > 10	±0.25
100 ≥ > 30	±0.3
ANGLE	±3°

THIS DRAWING IS A CONTROLLED DOCUMENT.

DIMENSIONS:
単位： 耗
mm

TOLERANCES UNLESS OTHERWISE SPECIFIED:
一般公差



MATERIAL
材料
PHOS. BRONZE, THK 0.25
りん青銅、板厚；0.25

FINISH
仕上

SEE TABLE

DWN T.SHINOHARA 25MAY04

CHK K.BETSUI 25MAY04

APVD K.BETSUI 25MAY04

PRODUCT SPEC
製品規格

APPLICATION SPEC
取付適用規格

114-5094

WEIGHT 0.262

CUSTOMER DRAWING

SEE DRAWING 173681-6		173681-6
175062-2	SELECTIVE GOLD	173681-2
175062-1	PRE-TINNED	173681-1
LOOSE PIECES NUMBER	FINISH	PART NUMBER
WIRE RANGE (抱合電線断面積) 0.3~0.56mm ² (AWG#22~20)		INSULATION DIA. (被覆外径) 1.8~2 mmφ

STE TE Connectivity

040 SERIES RECEPTACLE CONTACT

SIZE	CAGE CODE	DRAWING NO 番号	RESTRICTED TO
A3	00779	G-173681	-

SCALE 5:1 SHEET 1 OF 1 REV E4

Mouser Electronics

Authorized Distributor

Click to View Pricing, Inventory, Delivery & Lifecycle Information:

[TE Connectivity:](#)

[173681-1](#)