

Click to view price, real time Inventory,
Delivery & Lifecycle Information ;

HX5120NL

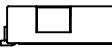
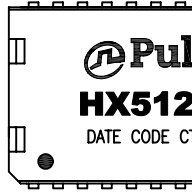
Pulse

Audio Transformers / Signal Transformers 1000Base-T NonPoE
350uH .65Ohms 1-Port

Any questions, please feel free to contact us.
info@kaimte.com

NOTES:

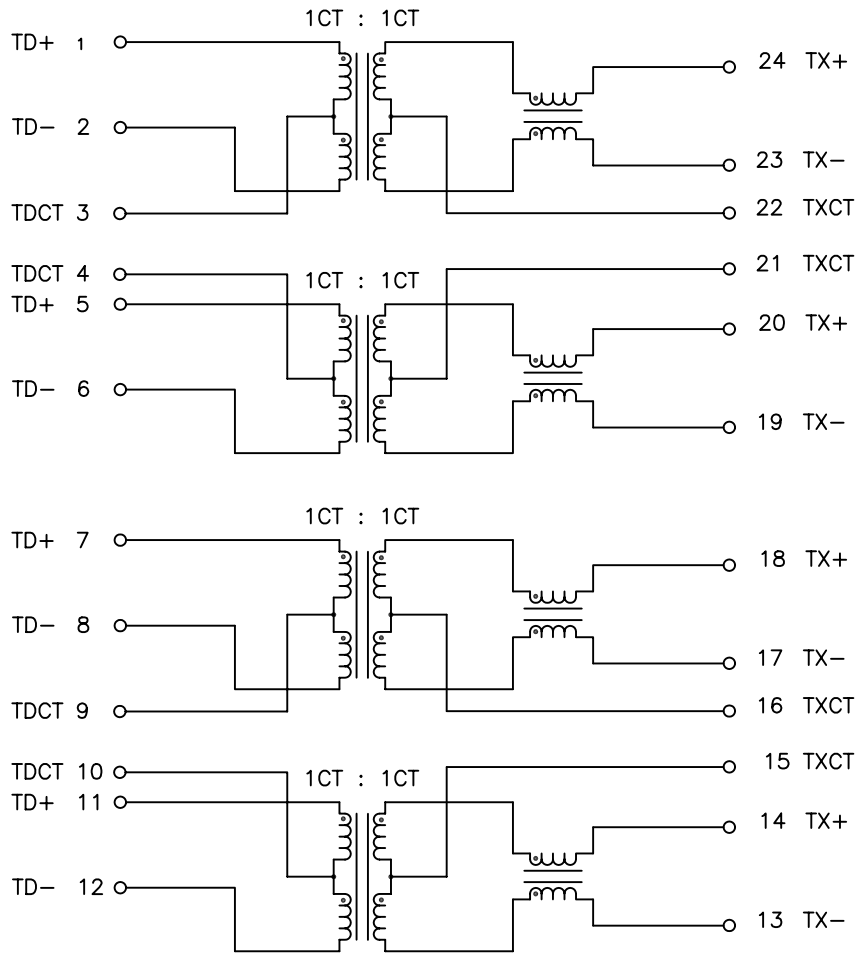
1. ROHS COMPLIANT
2. HEADER: DAP (DIALLYL PHTHALATE) WITH FLAMMABILITY RATING UL 94V-0 OR BETTER.
3. STORAGE TEMPERATURE: -50°C TO +125°C
4. COMPLIANCE TO J-STD:
 - A. J-STD-002: SOLDERABILITY AT 245°C REFLOW PROFILE
 - B. J-STD-020: LEVEL 1, NO MOISTURE SENSITIVE
 - C. J-STD-075: R7, 245°C MAXIMUM THROUGH REFLOW SOLDER
5. TO ORDER TAPE & REEL PACKAGING ADD A "T" SUFFIX TO THE PART NUMBER(i.e HX5120NL BECOMES HX5120NLT).



FINAL O

© Copyright, 2014. Pulse Electronics Corp. All rights reserved. Pulse confidential & proprietary. (06/19/14)

PRODUCT DESCRIPTION	TLA DRAWING	PS DRAWING	SHEET
MDL,SIN,1GD,1:1,SM,TU	HX5120NL-10	PS-2422.001-B	1 OF 3



SCHEMATIC

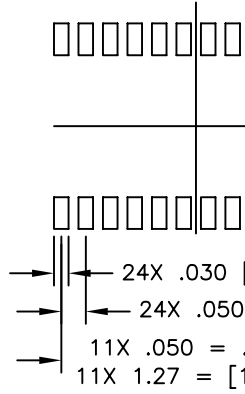
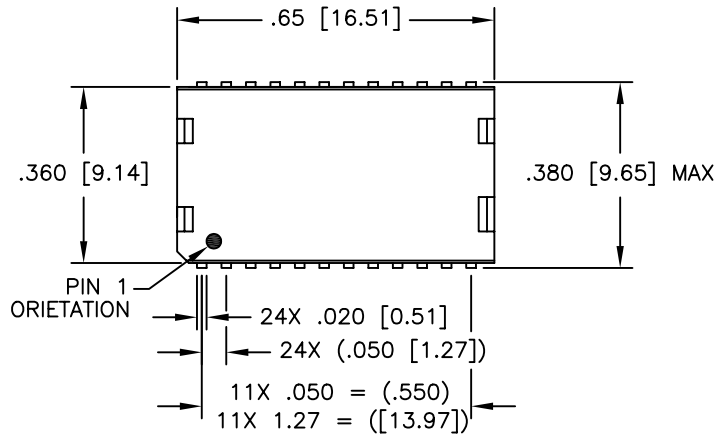
ELECTRICAL CHARACTERISTICS
MEETS IEEE

PARAMETER	
OPERATING TEMPERATURE	
TURNS RATIO	
POLARITY	
INSERTION LOSS	10 -1.2
RETURN LOSS (Z OUT = 100 OHM ±15%)	.1- -16
INDUCTANCE (OCL) (MEDIA SIDE, -40°C~+85°C)	350
CROSSTALK, ADJACENT CHANNELS	1 -50
COMMON MODE REJECTION RATIO	2 -42
DC RESISTANCE, 1/2 WINDING	
DC RESISTANCE IMBALANCE	±.
INPUT - OUTPUT ISOLATION	

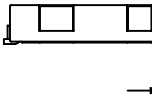
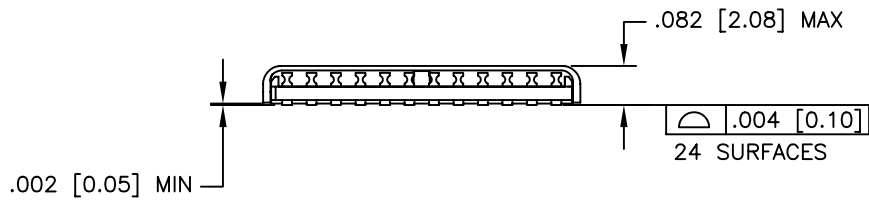
NOTE: f IS FREQUENCY IN MHz

© Copyright, 2014. Pulse Electronics Corp. All rights reserved. Pulse confidential & proprietary. (06/19/14)

PRODUCT DESCRIPTION	TLA DRAWING	PS DRAWING	SHEET
MDL,SIN,1GD,1:1,SM,TU	HX512ONL-10	PS-2422.001-B	2 OF 3



SUGGESTED LAND



DIMENSIONS ARE IN INCHES [MILLIMETERS] WITH THE FOLLOWING TOLERANCES: [MILLIMETERS] ARE FOR REFERENCE ONLY.
 .XX= ±.01 [±0.25]
 .XXX= ±.005 [±0.13]

© Copyright, 2014. Pulse Electronics Corp. All rights reserved. Pulse confidential & proprietary. (06/19/14)

PRODUCT DESCRIPTION	TLA DRAWING	PS DRAWING	SHEET
MDL,SIN,1GD,1:1,SM,TU	HX512ONL-10	PS-2422.001-B	3 OF 3

Mouser Electronics

Authorized Distributor

Click to View Pricing, Inventory, Delivery & Lifecycle Information:

Pulse:

[HX5120NL](#)