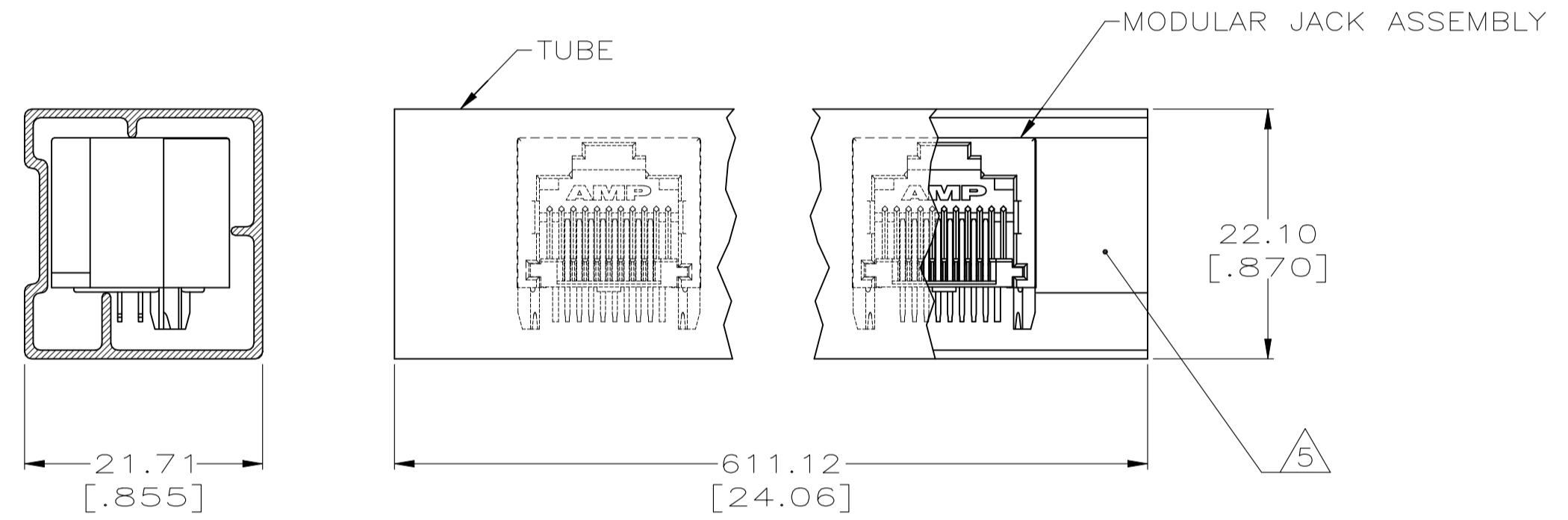
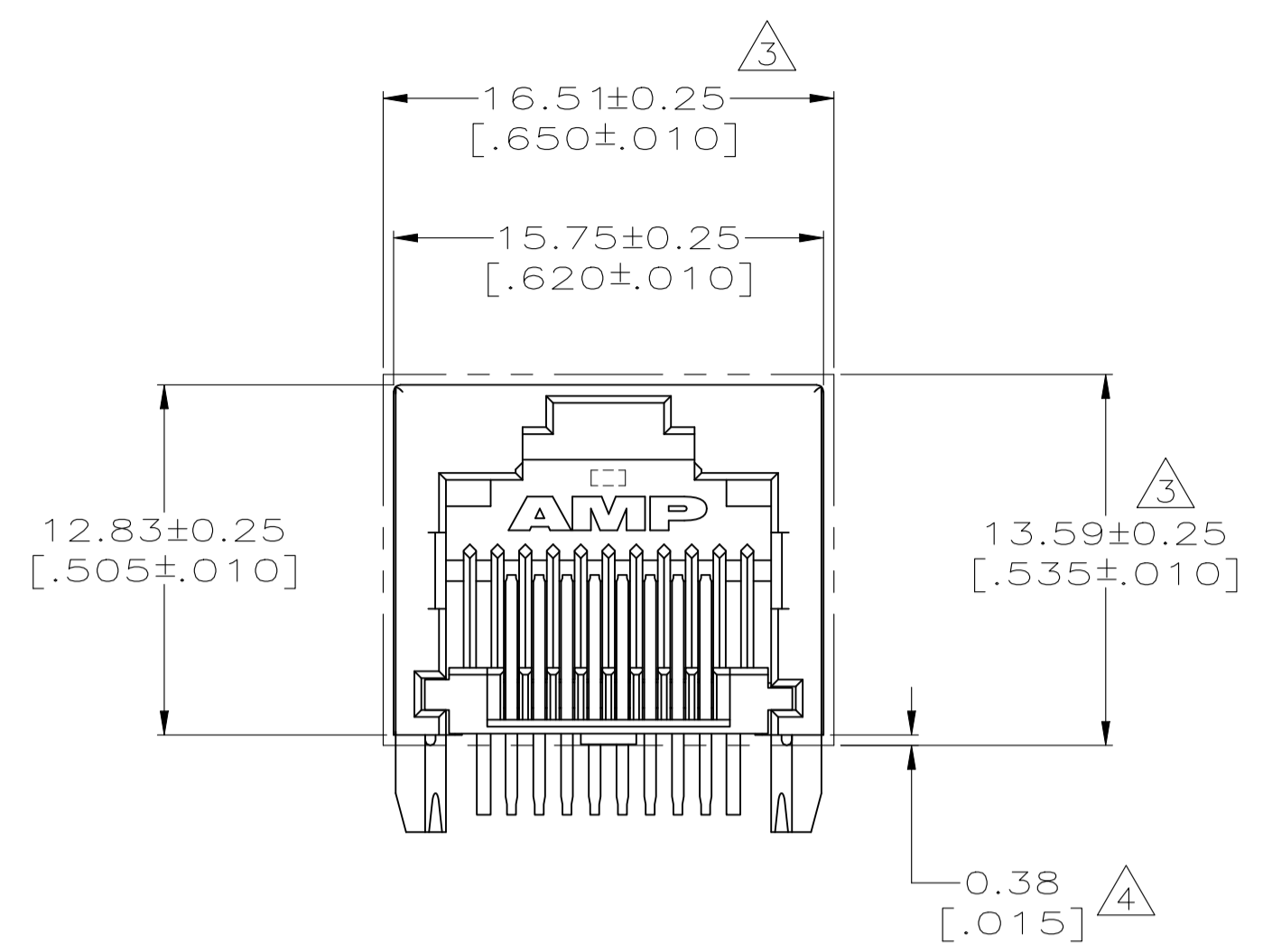
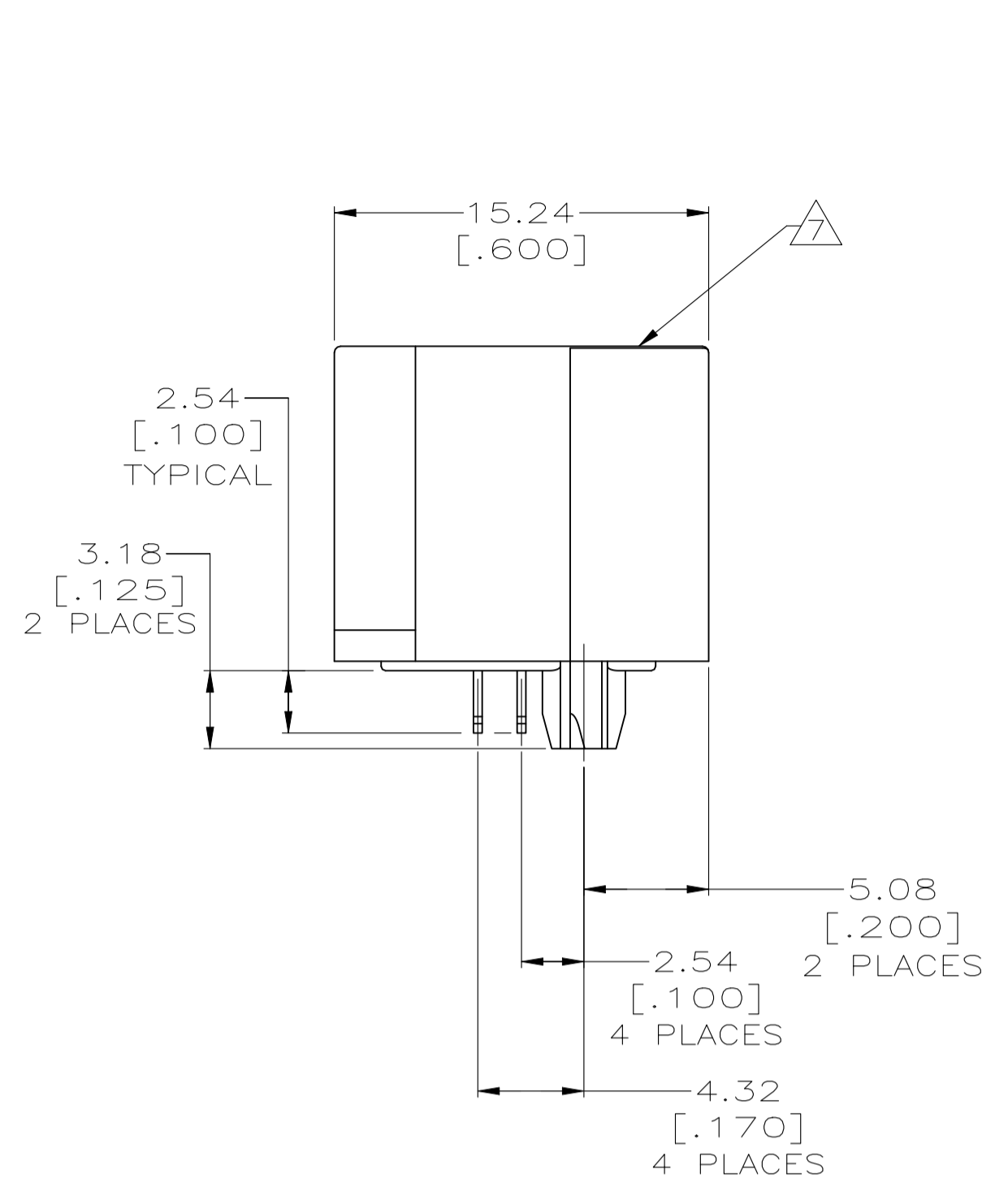
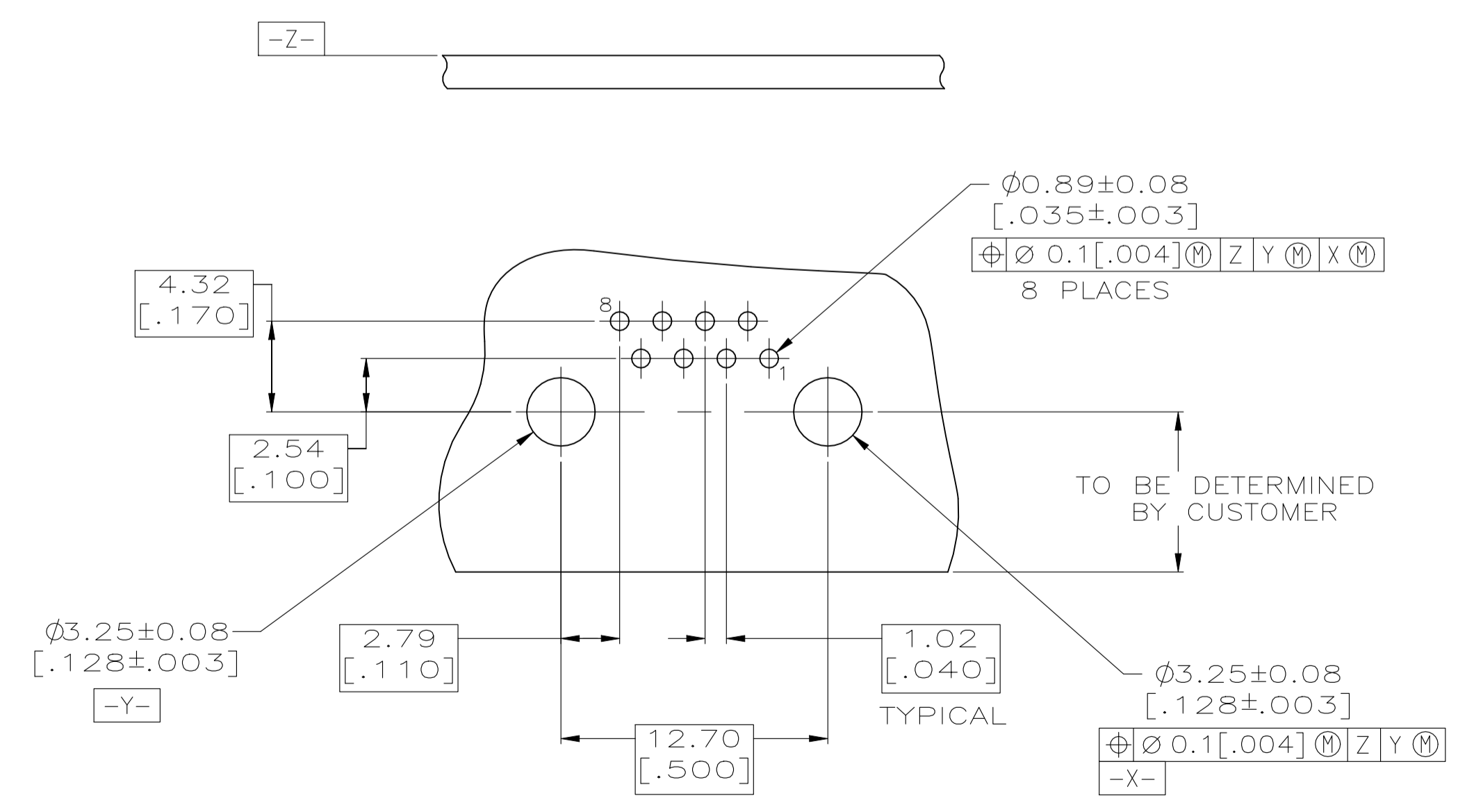


REVISIONS				
REV	DESCRIPTION	DATE	BY	APP'D
G	REVISED PER ECO-20-015830	15SEP2021	AK	SZ



DETAIL A
TUBE PACKAGING
SCALE 2:1

- △ MATERIAL:
HOUSING - HIGH TEMPERATURE THERMOPLASTIC, BLACK, UL94V-0; SOLDERING PROCESS COMPATIBLE.
TERMINALS - .36[.014] THICK PHOS BRONZE PLATED WITH 3.81µm[.000150] MINIMUM THICK (SEE P/N TABLE) IN SOLDER AREA. 1.27µm[.000050] MINIMUM GOLD IN LOCALIZED PLATE AREA. ENTIRE TERMINAL PLATED WITH 1.27µm[.000050] MINIMUM THICK NICKEL.
- 2. JACK CAVITY CONFORMS TO FCC RULES AND REGULATIONS PART 68, SUBPART F.
- △ SUGGESTED PANEL OPENING DIMENSIONS.
- △ SUGGESTED CLEARANCE BETWEEN BOTTOM OF CONNECTOR AND BOTTOM PANEL OPENING.
- △ PACKAGED 35 PIECES PER TUBE, SEE DETAIL "A".
- △ 80 PIECES/TRAY, 10 TRAYS/BOX.
- △ MANUFACTURING DATE CODE:
INK STAMP, LOCATED APPROX. AS SHOWN.
FIRST 2 DIGITS = LAST 2 DIGITS OF YEAR.
NEXT 2 DIGITS = MANUFACTURING WORK WEEK.
LAST DIGIT = DAY OF WEEK WITH SUNDAY = 1.



SUGGESTED PRINTED CIRCUIT BOARD LAYOUT
(COMPONENT SIDE)

OBSOLETE	MATTE TIN	△ TUBE	1-406525-3
	MATTE TIN	△ TRAY, PICK & PLACE COMPATIBLE	1-406525-2
	MATTE TIN	TRAY	1-406525-1
OBSOLETE	BRIGHT TIN=LEAD	△ TUBE	406525-3
OBSOLETE	BRIGHT TIN=LEAD	△ TRAY, PICK & PLACE COMPATIBLE	406525-2
OBSOLETE	BRIGHT TIN=LEAD	TRAY	406525-1
	△ TERMINAL PLATING	PACKAGING	PART NUMBER

THIS DRAWING IS A CONTROLLED DOCUMENT.		DIN G GARRETT 17SEP97	TE Connectivity	
		CMK G GARRETT 17SEP97		
DIMENSIONS: mm [INCHES]		APVD M DERSTINE 17SEP97		NAME
TOLERANCES UNLESS OTHERWISE SPECIFIED:		PRODUCT SPEC		INVERTED MODULAR JACK ASSEMBLY, 1X1
0 PLC ± -	1 PLC ± -	108-1163-4		APPLICATION SPEC
2 PLC ± 0.25[.010]	3 PLC ± 0.13[.005]	114-2154		SIZE CAGE CODE DRAWING NO
4 PLC ± -	ANGLES ± -	WEIGHT -		A1 00779 C=406525
MATERIAL		FINISH		CUSTOMER DRAWING
		SCALE 4:1		SHEET 1 OF 1 REV G

Mouser Electronics

Authorized Distributor

Click to View Pricing, Inventory, Delivery & Lifecycle Information:

[TE Connectivity:](#)

[1-406525-1](#)