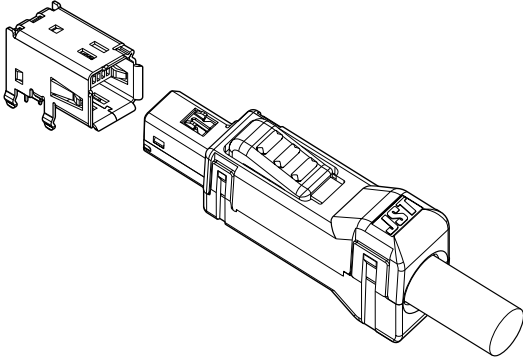




# MUF CONNECTOR

**0.8mm pitch/For Interface**



***This connector is the shielded interface connector with locking mechanism.***

- ***Plug side: Easy assembling method***
- ***Receptacle side: The miniaturization is realized***
- ***Keying: Corresponding to the mis-insertion prevention***

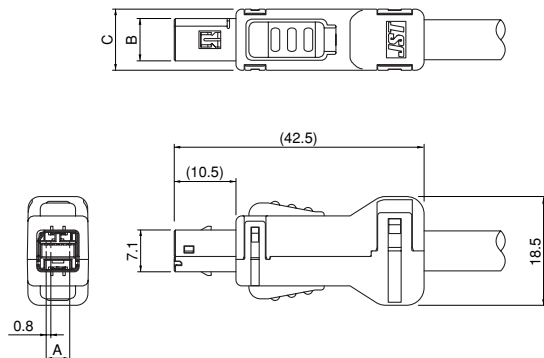
## ***Specifications***

- Current rating: 1.0A AC, DC
  - Voltage rating: 30V AC, DC
  - Temperature range: -55°C to +85°C  
(including temperature rise in applying electrical current)
  - Contact resistance: Initial value/50m Ω max.  
After environmental testing/100m Ω max.
  - Insulation resistance: Initial value/100M Ω min.
  - Withstanding voltage: Initial value/100V AC/minute
  - Applicable wire: AWG#28 to #24  
Conductor insulation O.D./1.2mm max.  
Cable O.D./6.8mm max.
  - Applicable PC board thickness: 1.6mm
- \* Compliant with RoHS.  
\* Refer to "General Instruction and Notice when using Terminals and Connectors" at the end of this catalog.  
\* Contact JST for details.

# MUF CONNECTOR

## Plug

### Assembly layout (Reference)

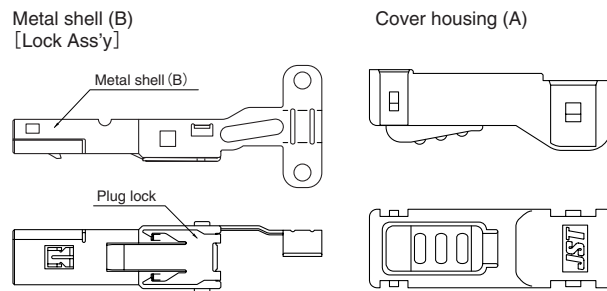
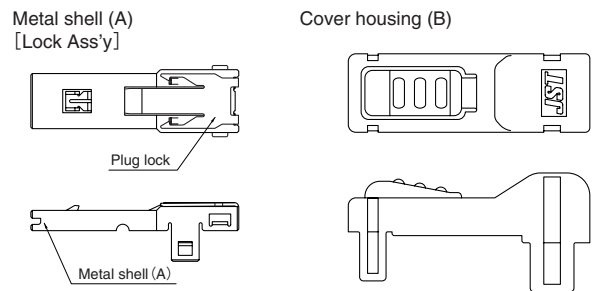
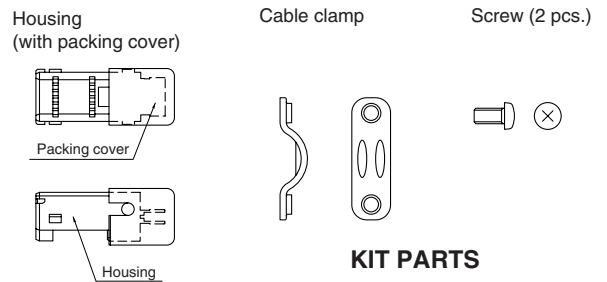


Circuits	Keying	Model No.	Dimensions (mm)			Q'ty / box
			A	B	C	
6	X	<b>MUF-PK6K-X</b>	4.0	7.2	10.4	54
	Y	<b>MUF-PK6W-Y</b>	4.0	7.2	10.4	54
8	X	<b>MUF-PK8K-X</b>	5.6	8.8	12.0	54
	Y	<b>MUF-PK8W-Y</b>	5.6	8.8	12.0	54
10	X	<b>MUF-PK10K-X</b>	7.2	10.4	13.6	45
	Y	<b>MUF-PK10W-Y</b>	7.2	10.4	13.6	45

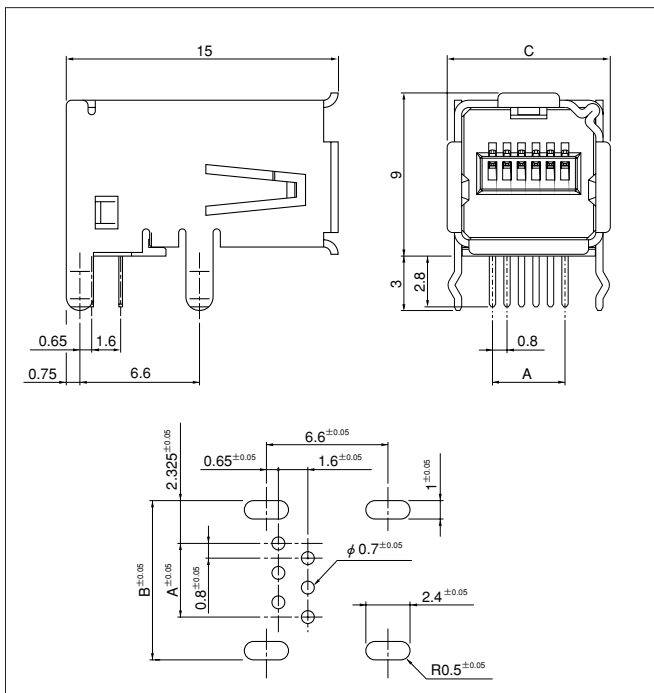
### Material and Finish

Contact: Copper alloy, nickel-undercoated, selective gold-plated  
Housing: Thermoplastic resin, UL94V-0, black  
Metal shell A, B: Metal shell/ Copper alloy, nickel-undercoated, tin-plated  
(Lock Ass'y): Plug lock/ Stainless  
Cover housing A, B: Thermoplastic resin, UL94V-0, black (X-Keying), white (Y-Keying)  
Cable clamp: Steel, nickel-undercoated, tin-plated  
Screw: Steel, copper-undercoated, nickel-plated

RoHS compliance



## Receptacle



Circuits	Keying	Model No.	Dimensions (mm)			Q'ty / box
			A	B	C	
6	X	<b>MUF-RS6DK-GKXR</b>	4.0	8.65	9.0	105
	Y	<b>MUF-RS6DS-GKYR</b>	4.0	8.65	9.0	105
8	X	<b>MUF-RS8DK-GKXR</b>	5.6	10.25	10.6	105
	Y	<b>MUF-RS8DS-GKYR</b>	5.6	10.25	10.6	105
10	X	<b>MUF-RS10DK-GKXR</b>	7.2	11.85	12.2	105
	Y	<b>MUF-RS10DS-GKYR</b>	7.2	11.85	12.2	105

### Material and Finish

Contact: Copper alloy, nickel-undercoated, selective gold-plated  
Housing: Thermoplastic resin, UL94V-0, black (X-Keying), natural/white (Y-Keying)  
Metal shell: Copper alloy, nickel-undercoated, tin-plated

RoHS compliance